

8 7 6 5 4 3 2 1

F

F

E

E

D

D

C

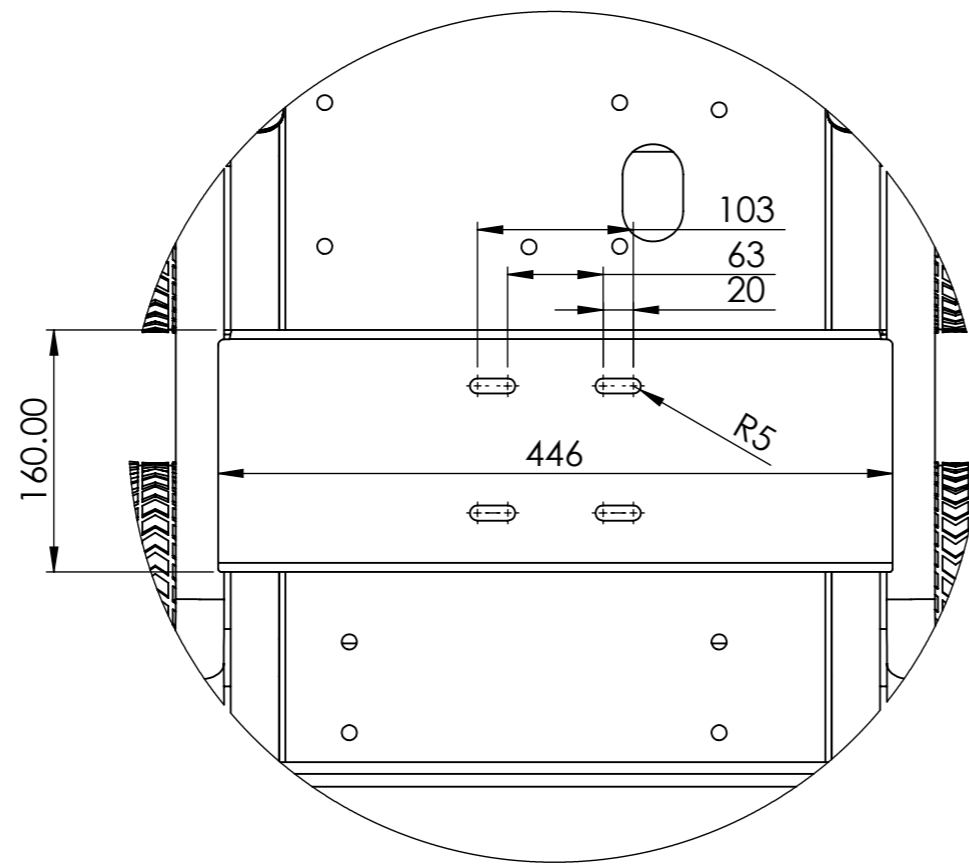
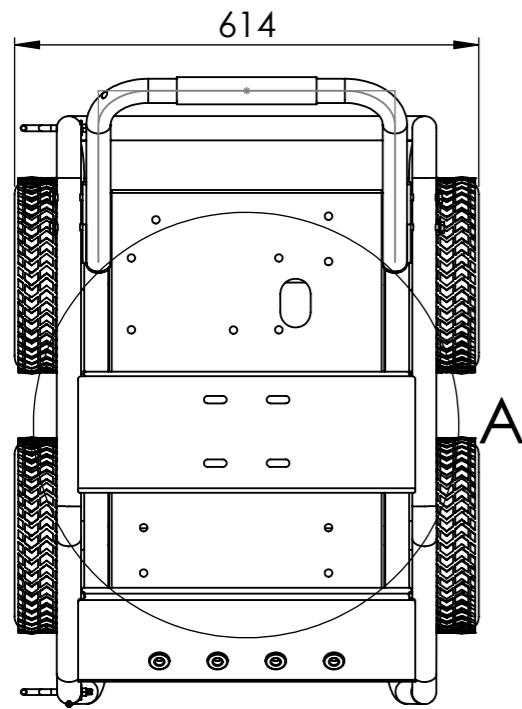
C

B

B

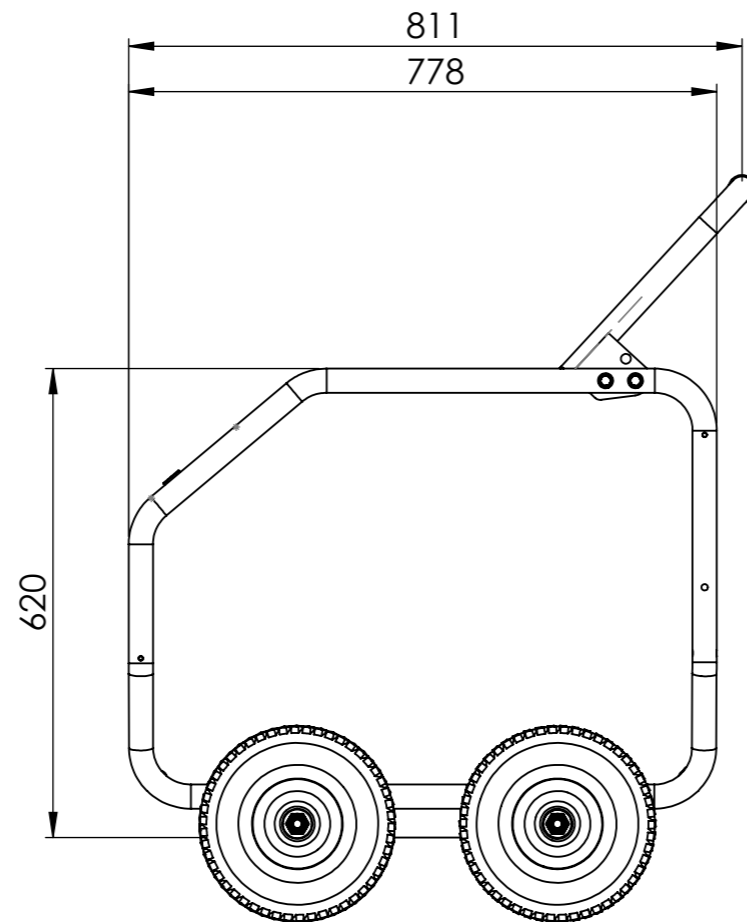
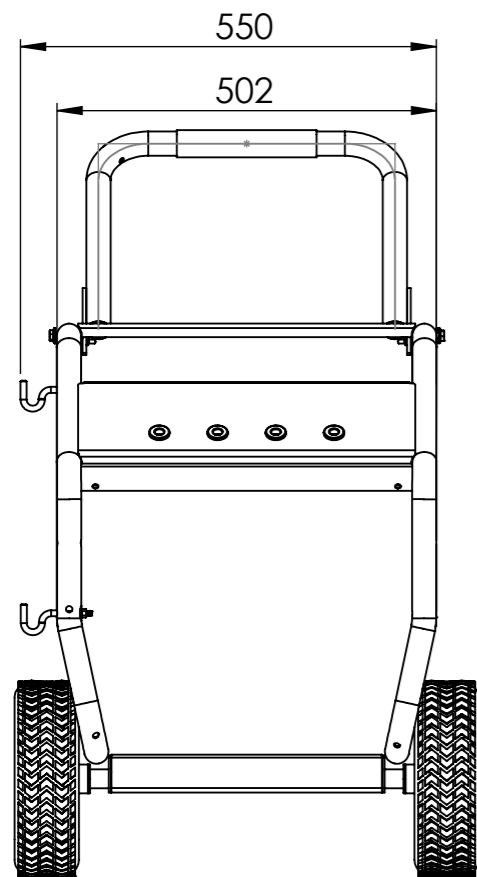
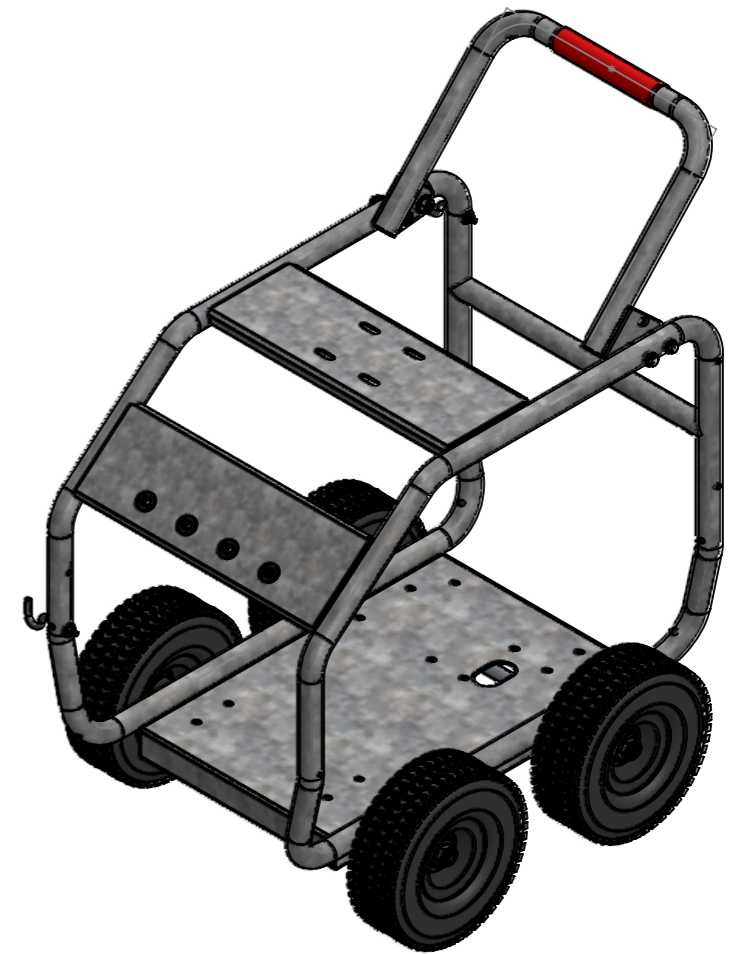
A

A




DETAIL A

SCALE 1 : 5



NOTE: Optional wheels
P/N: 85.6600.004b
sold Separately

UNLESS OTHERWISE SPECIFIED: DIMENSIONS ARE IN MILLIMETERS SURFACE FINISH: TOLERANCES: LINEAR: ±2mm ANGULAR: ±1°			FINISH: Various [See BOM]			DEBURR AND BREAK SHARP EDGES			 B.A.R. Group P/L		
			PART NO. / PRODUCT			165 Frame J2 GA Drawing			DESCRIPTION		
DRAWN Harrison F			SIGNATURE			DATE 16/12/2025			NO		
CHK'D									NAME		
APPVD									DATE		
MFG									REVISIONS		
Q.A									DATE		
									D Harrison F 10/03/26		
									MATERIAL:		
									Various (see BOM)		
									WEIGHT: 38557.85		
									SCALE:1:10		
									SHEET 1 OF 21		

8 7 6 5 4 3 2 1