

8 7 6 5 4 3 2 1

F

F

E

E

D

D

C

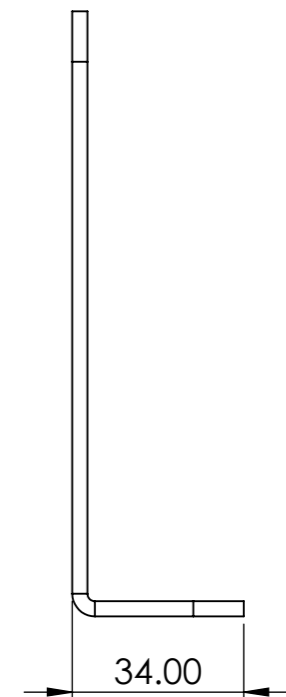
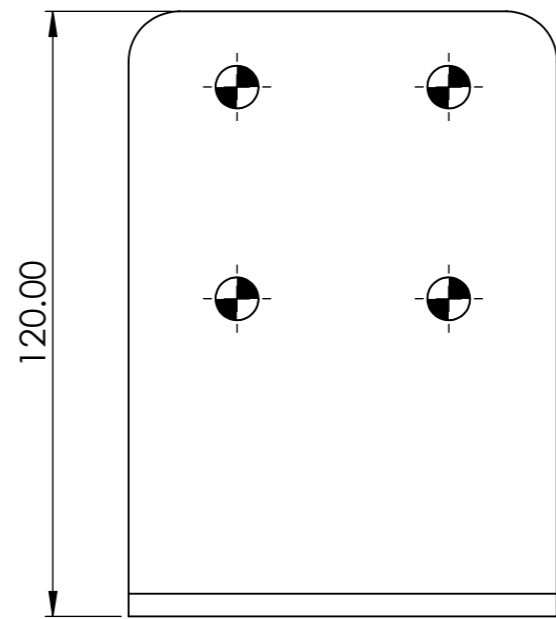
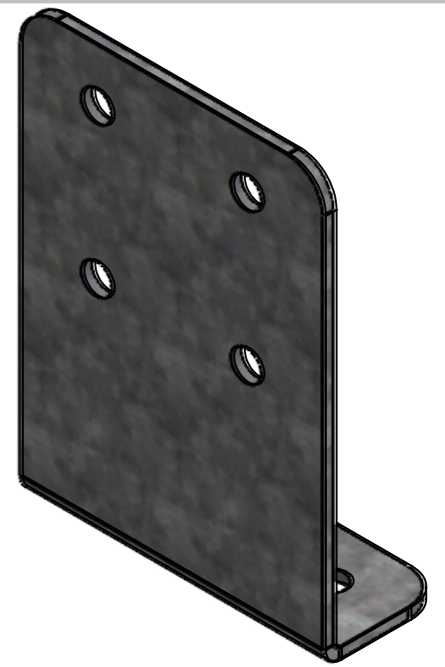
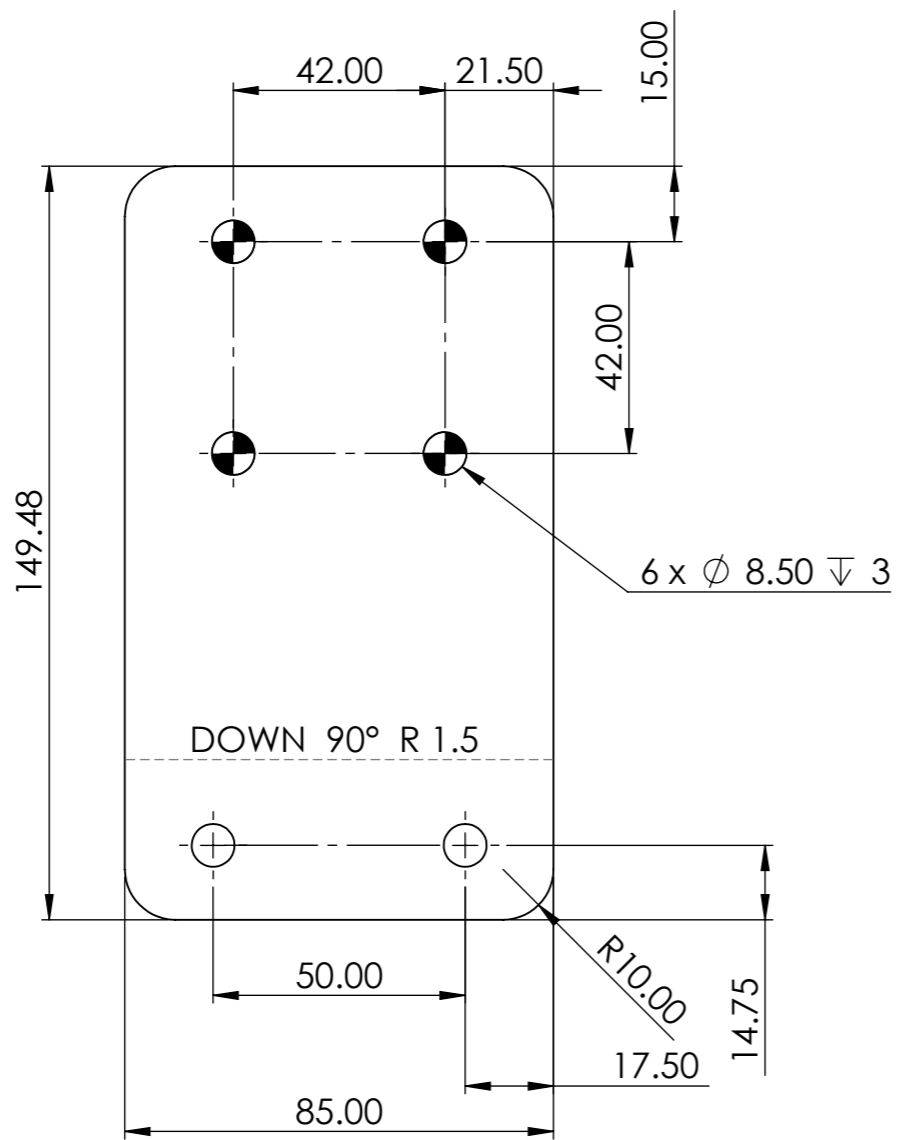
C


B

B

A

A



UNLESS OTHERWISE SPECIFIED: DIMENSIONS ARE IN MILLIMETERS SURFACE FINISH: RA; TOLERANCES: LINEAR: ± 2 mm ANGULAR: $\pm 1^\circ$				FINISH: As Supplied		DEBURR AND BREAK SHARP EDGES		 B.A.R. Group P/L	
		NAME		SIGNATURE		DATE		REVISIONS	
DRAWN		Harrison F				1/04/26		NO NAME DATE	
CHK'D									
APPVD									
MFG									
Q.A									
						MATERIAL:		PART NO. / PRODUCT	
						2mm Galvanized Steel Sheet		125 85.804.517 Manufacturing Drawing	
						WEIGHT: 37.64		DESCRIPTION	
								Brake Brakect for JMP-2xl	
						SCALE: 1:1.5		A3	
								SHEET 1 OF 1	

8 7 6 5 4 3 2 1