

8 7 6 5 4 3 2 1

F

F

E

E

D

D

C

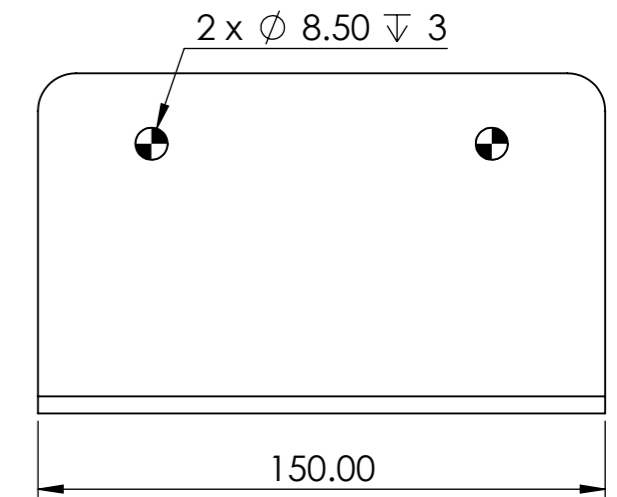
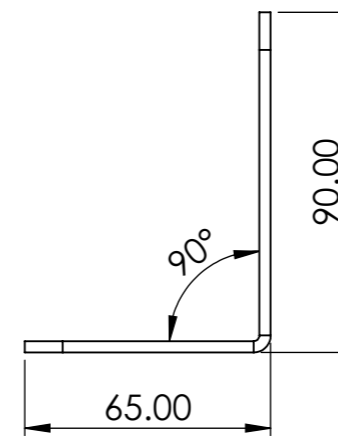
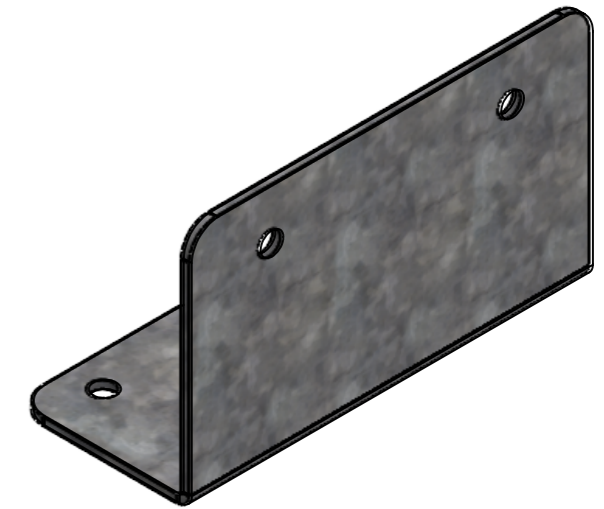
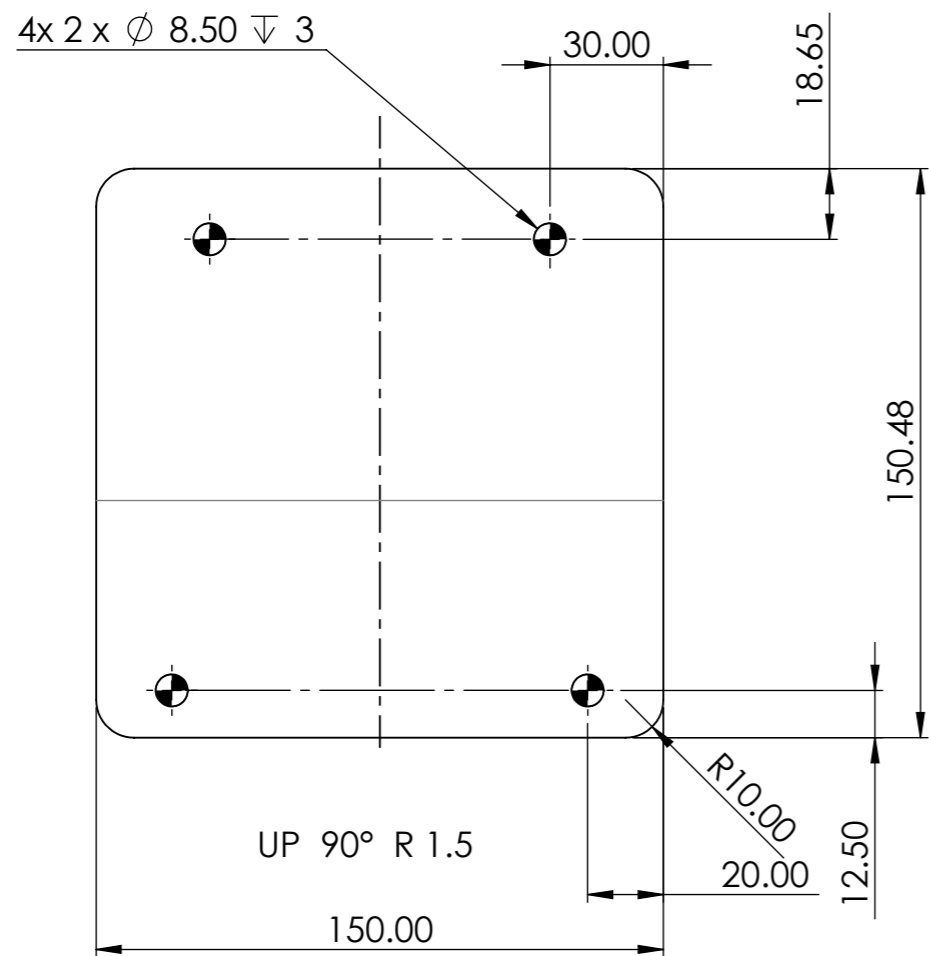
C


B

B

A

A



UNLESS OTHERWISE SPECIFIED: DIMENSIONS ARE IN MILLIMETERS SURFACE FINISH: TOLERANCES: LINEAR: \pm 2mm ANGULAR: \pm 1°				FINISH: As Supplied		DEBURR AND BREAK SHARP EDGES		 B.A.R. Group P/L	
		NAME		SIGNATURE		DATE		REVISIONS	
DRAWN		Harrison F				22/12/2025		NO NAME DATE	
CHK'D									
APPVD									
MFG									
Q.A								MATERIAL:	
								3mm Galvanised Sheet	
								WEIGHT: 68.22	
								SCALE:1:2	
								SHEET 1 OF 1	
PART NO. / PRODUCT								A3	
125 85.804.516									
General Assembly Drawing									
DESCRIPTION									
Fuel Tank Bracket for JMP-2XL Frame									

8 7 6 5 4 3 2 1