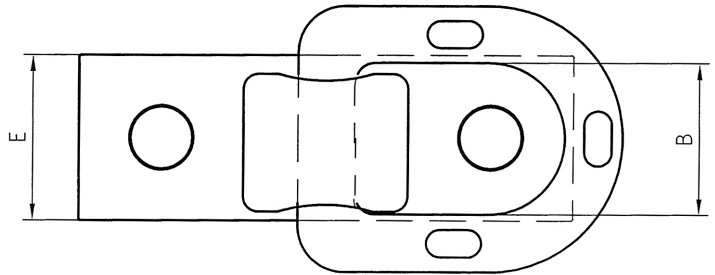
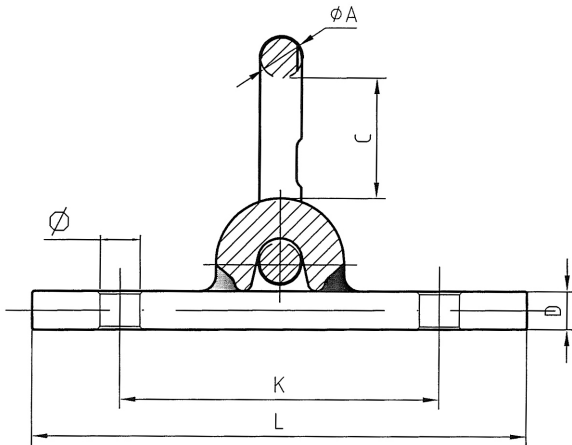


## G80 Bolt On Point Buzzer Plate



<b>AS/NZS 3776</b>	<b>Certified</b>	<b>G80 Alloy Steel</b>	<b>Safety Factor 4-1</b>	<b>WLL from (ton) 1-8</b>
------------------------	------------------	----------------------------	------------------------------	-------------------------------

WLL (T)	CODE	Wt. (kg)	DIMENSIONS (mm)							
			A	B	C	D	E	Φ	L	K
1	103701	1.09	13	41	39	12	50	12.5	155	100
3	103703	1.56	17	45	47	16	50	16.5	155	100
5	103705	2.585	21	55	57	20	60	22.5	180	120
8	103708	4.92	26.5	70	63	26	60	26.5	220	145



**NSW Head Office**

📍 43 Frank Street  
 Wetherill Park, NSW 2164  
 ☎ 02 9757 2277

**WA Office**

📍 42 Mulgal Road  
 Malaga, WA 6090  
 ☎ 08 9248 6674

**QLD Office**

📍 99 Radius Drive  
 Larapinta, QLD 4110  
 ☎ 07 3272 0777

**VIC Office**

📍 475 Dohertys Road  
 Truganina, VIC 3029  
 ☎ 03 9314 5525