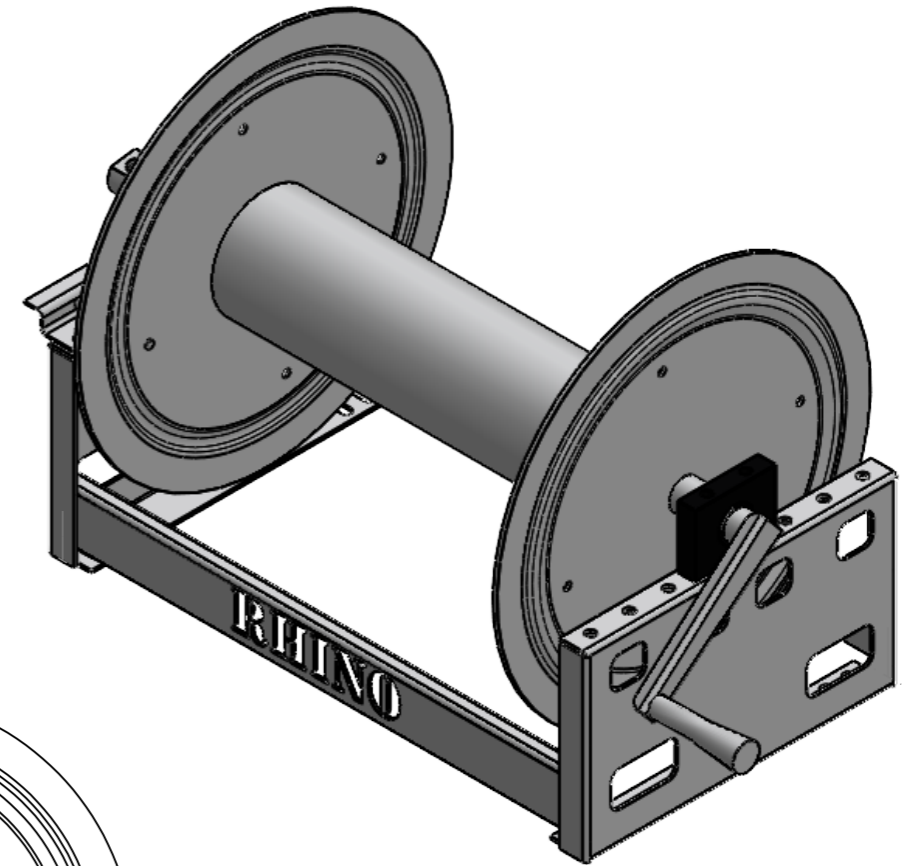
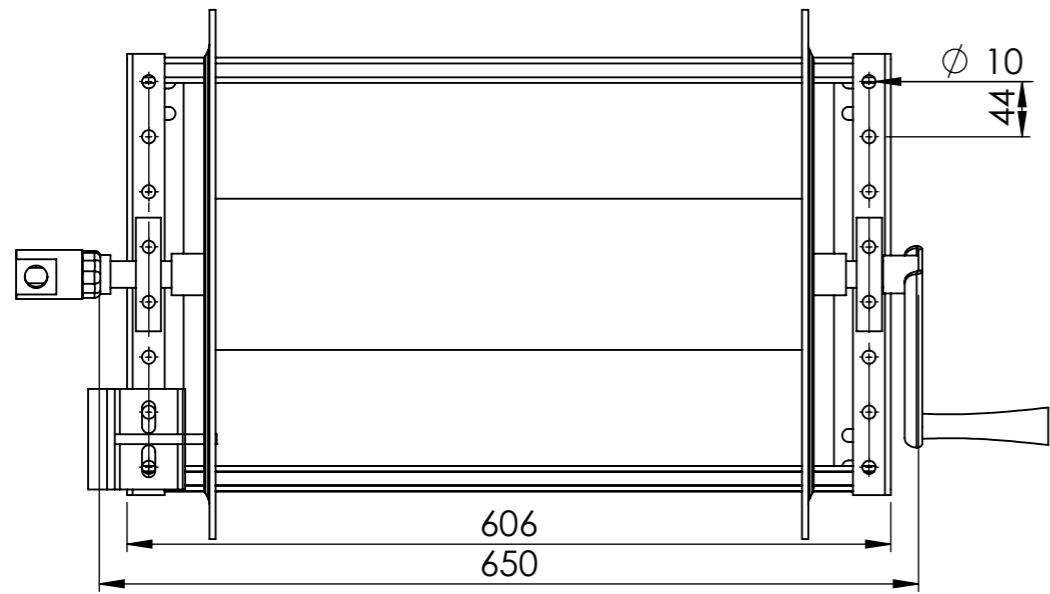


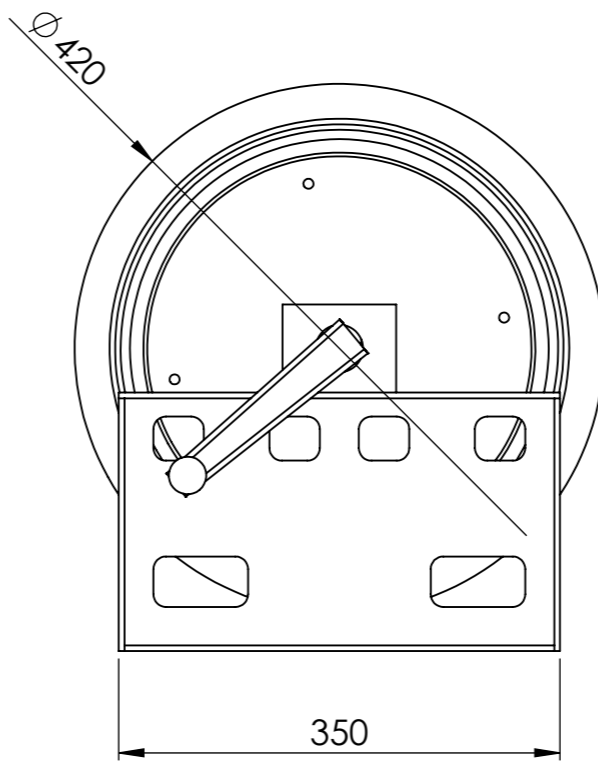
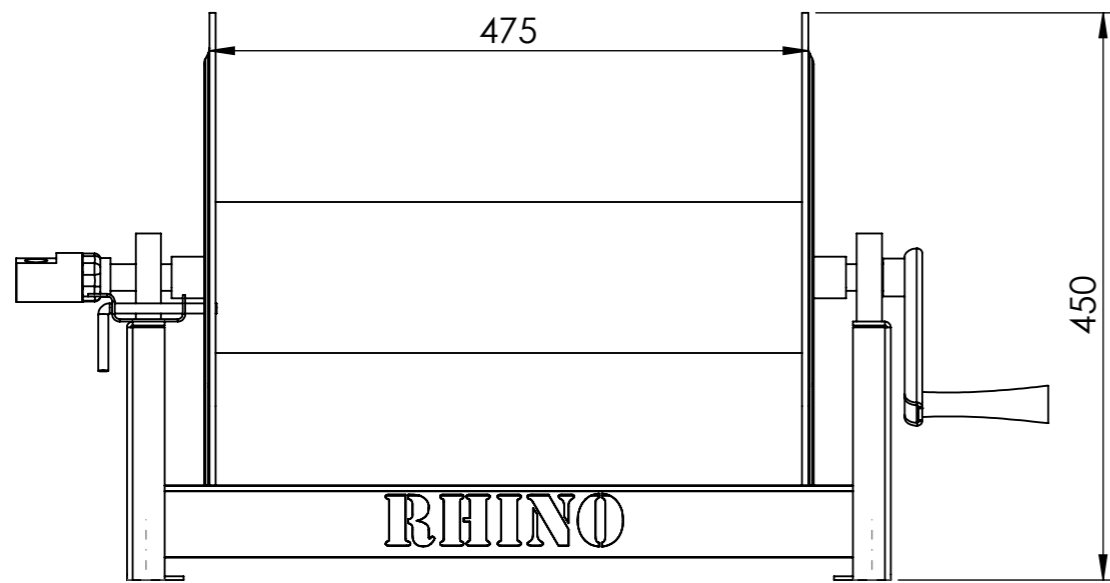
8 7 6 5 4 3 2 1

F



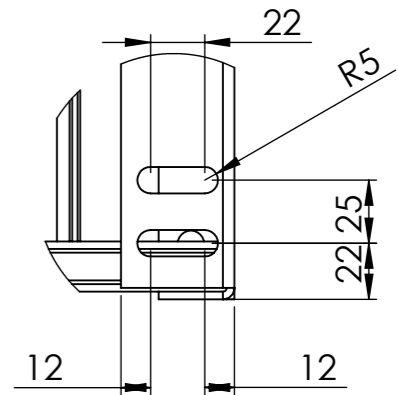
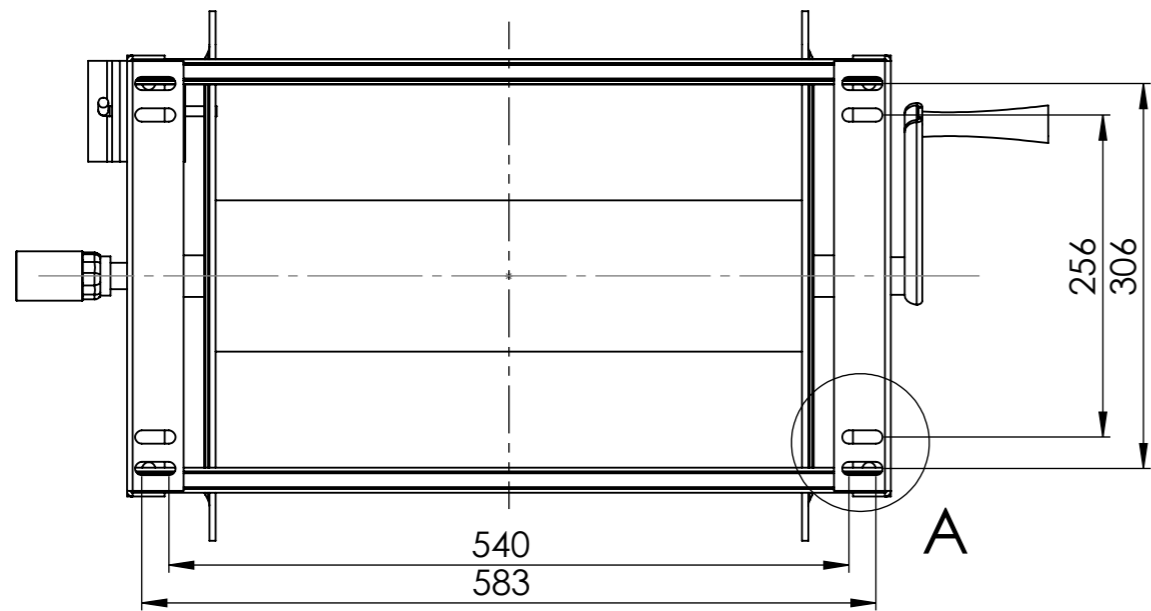
F

E



E

D




D

C

DETAIL A  
SCALE 1 : 3

C

B

UNLESS OTHERWISE SPECIFIED: DIMENSIONS ARE IN MILLIMETERS SURFACE FINISH: TOLERANCES: LINEAR: ±2mm ANGULAR: ±1°				FINISH:		DEBURR AND BREAK SHARP EDGES		 <b>B.A.R. Group P/L</b>	
DRAWN		Harrison F		SIGNATURE		DATE		5/11/2025	
CHK'D				REVISIONS		NO		NAME	
APPVD				DATE					
MFG				MATERIAL:				PART NO. / PRODUCT	
Q.A				WEIGHT: 4.85 kg		SCALE: 1:6		175 85.402.191 General Assembly Drawing	
								DESCRIPTION	
								A3	
								SHEET 1 OF 1	

B

A

A

8 7 6 5 4 3 2 1