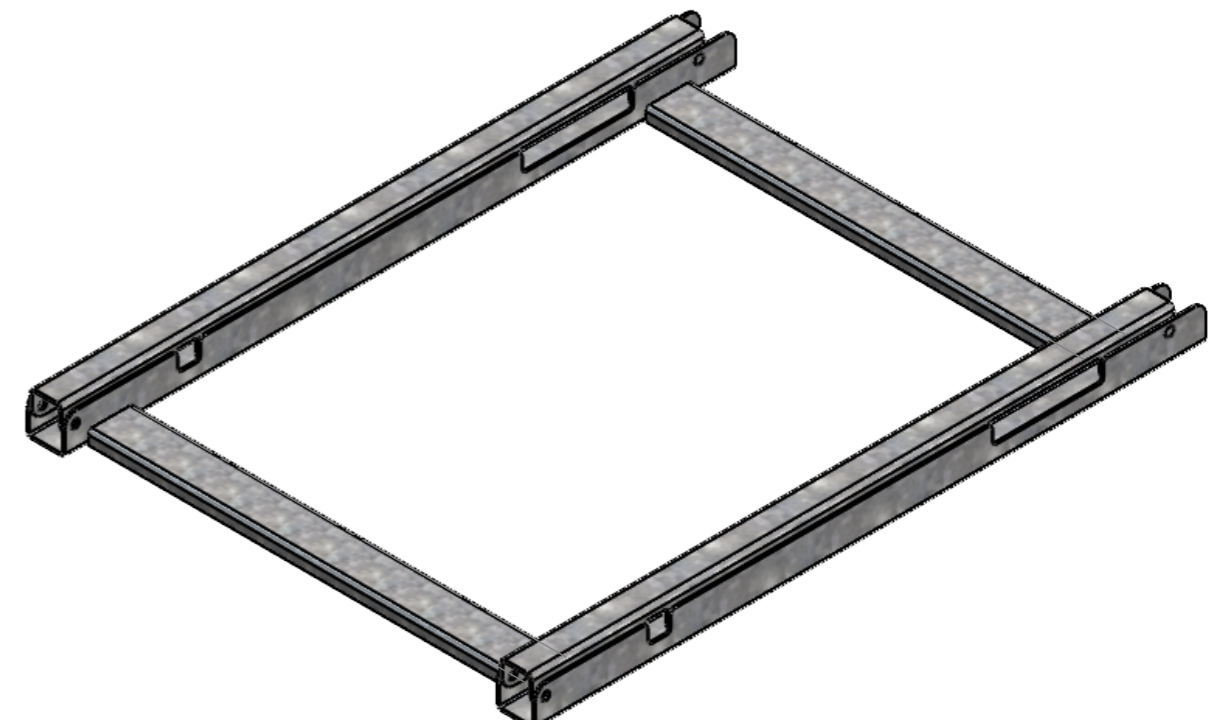
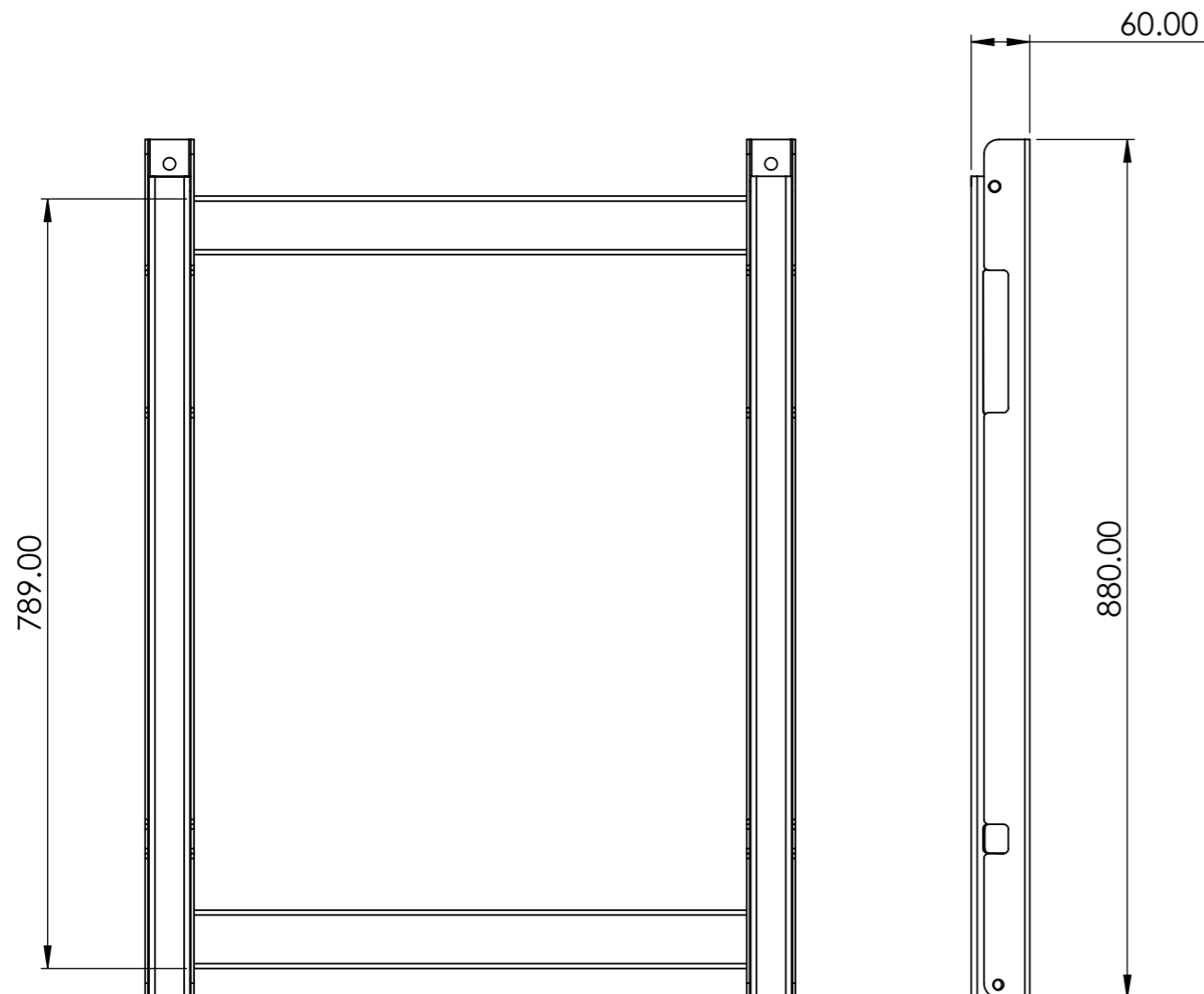


8 7 6 5 4 3 2 1

F

F



E

E

D

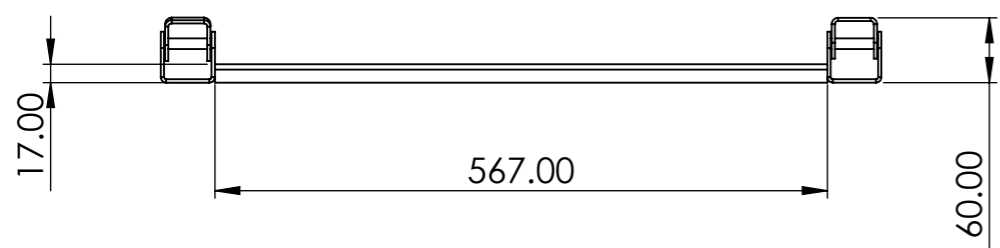
D

C

C

B


B



A

A

8 7 6 5 4 3 2 1

UNLESS OTHERWISE SPECIFIED: DIMENSIONS ARE IN MILLIMETERS SURFACE FINISH: TOLERANCES: LINEAR: ANGULAR:				FINISH: Hot Dipped Galvanized			DEBURR AND BREAK SHARP EDGES		 B.A.R. Group P/L			
				PART NO. / PRODUCT			125 85.804.437					
DRAWN Harrison F				SIGNATURE			DATE 18/03		NO		NAME	DATE
CHK'D									A		Harrison F	16/6/25
APPVD												
MFG												
Q.A									MATERIAL:		Mild Steel	
									WEIGHT:		SCALE:1:7	
									DESCRIPTION		Locking Plate for JMP-XL	A3
											SHEET 1 OF 7	