

MANUAL SWEEPER GUIDE

Model 920F

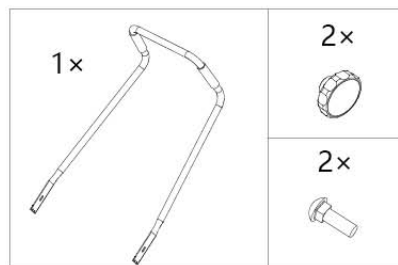


Please make sure you read the instruction manual below and clear the operation before you use this sweeper.

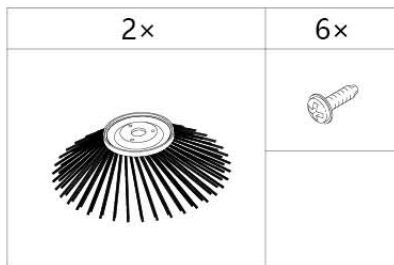
SPECIFICATION

Working width with two side brushes	920 mm
Container Capacity	40L
Maximum Theoretical Area Performance	3680m ² /h
Net weight	23.8 kg
Dimension (folded)	890x790x385 mm

SPARE PARTS IN THE BOX

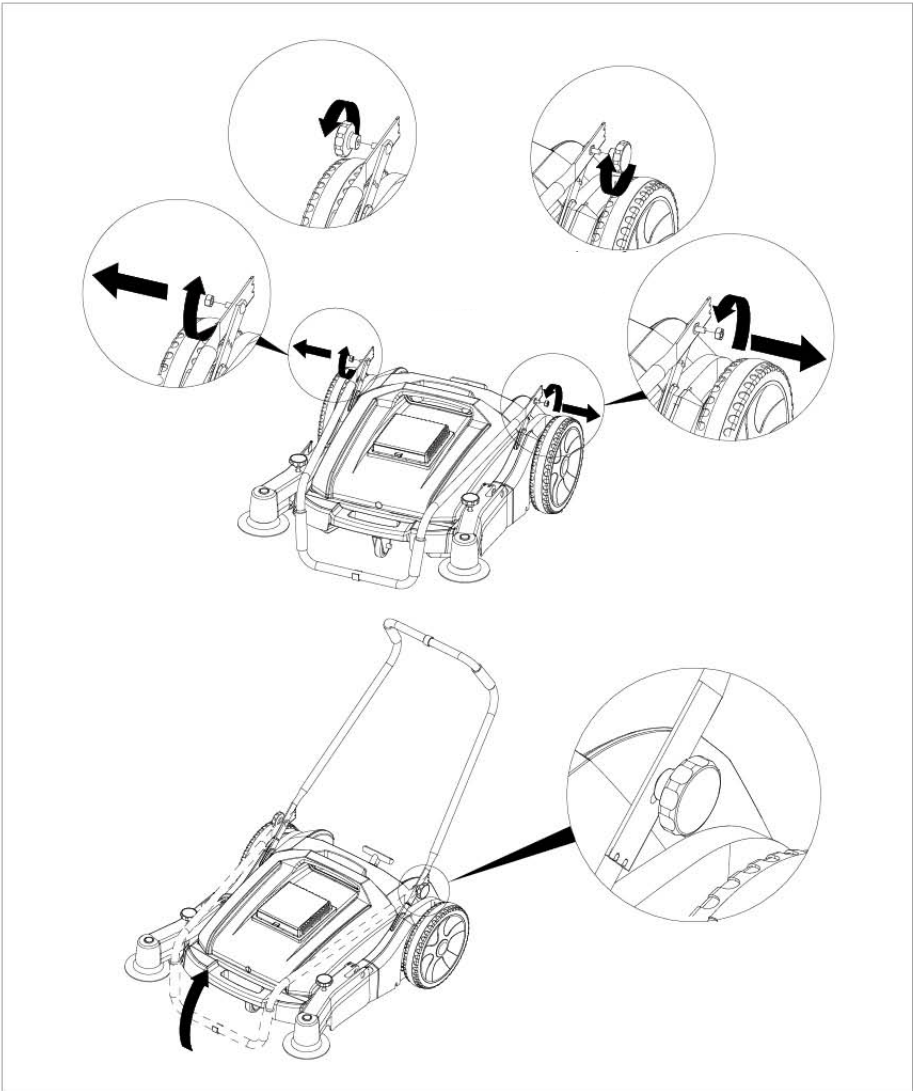


Handle and bolts



Side brush and screws

HOW TO USE

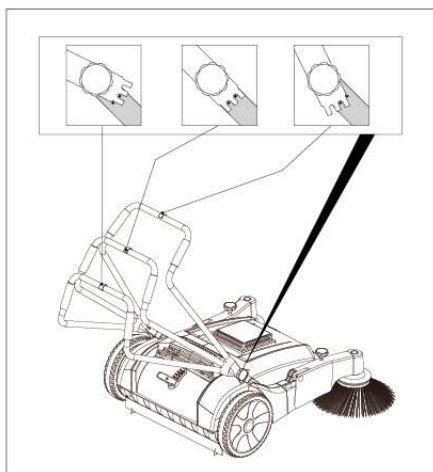


Retaining screw for push handle adjusting. Remove the screws on both sides of handle, and install the turning knob.

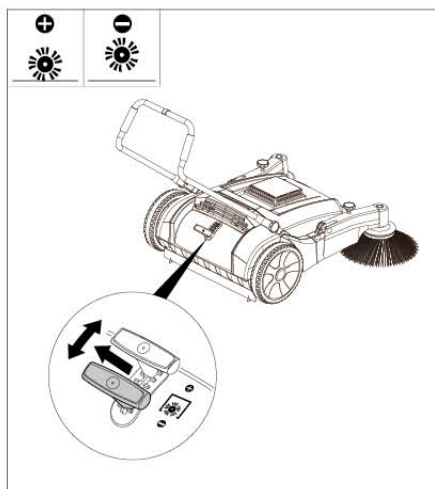
HOW TO USE



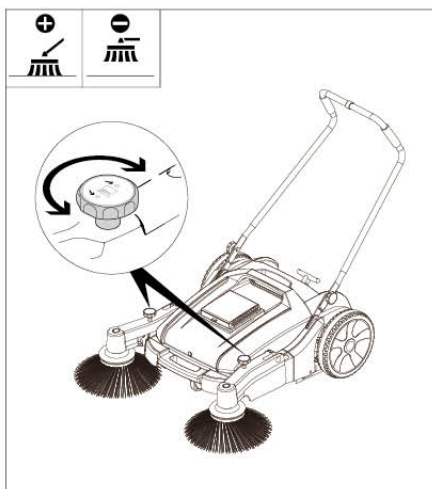
Take out the brushes from the debris container and screw the brushes.



Three-position adjustable handle for operator comfort and convenience.

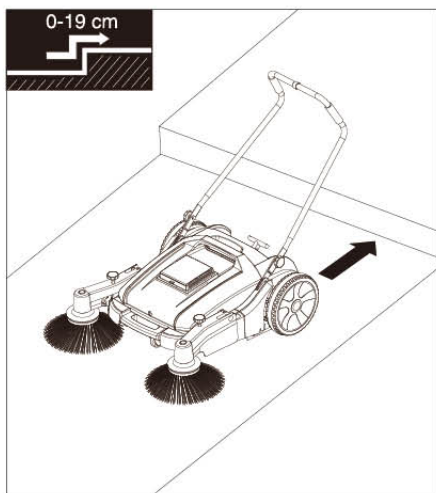


Adjustable roller broom height with 6 different positions. Pull out the adjusting lever to the required position.

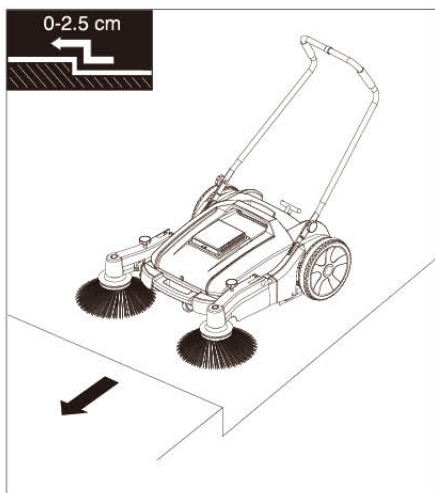


Easy to adjust front brush pressure for outstanding sweeping performance. Turn right to lower brush; turn left to lift brush.

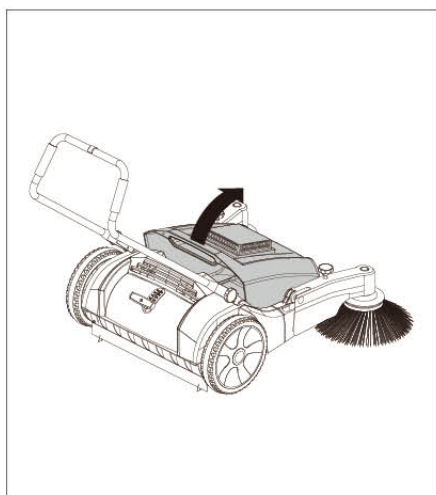
HOW TO USE



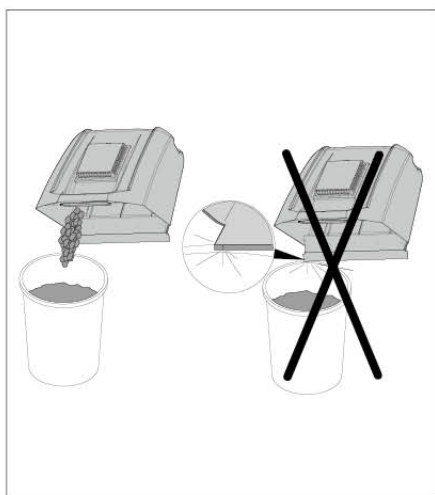
Walking the step in the opposite direction ≤ 19 cm.



The cleaning surface should be competitive flat and height difference ≤ 2.5 cm.

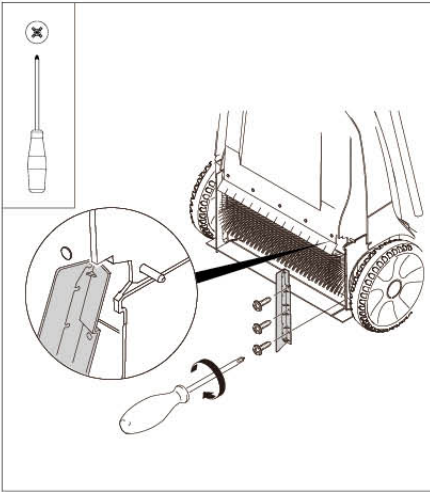


Lift the debris container handle and detach that.

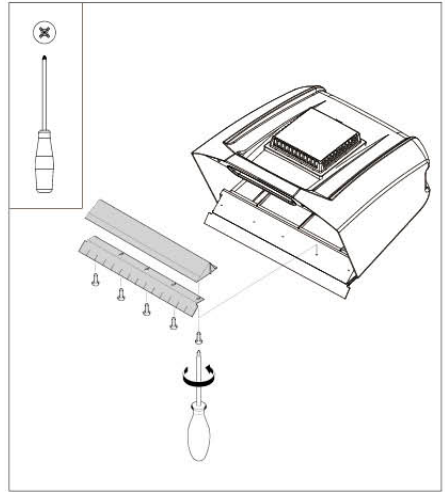


Pour the debris along one side. Crashing container is forbidden.

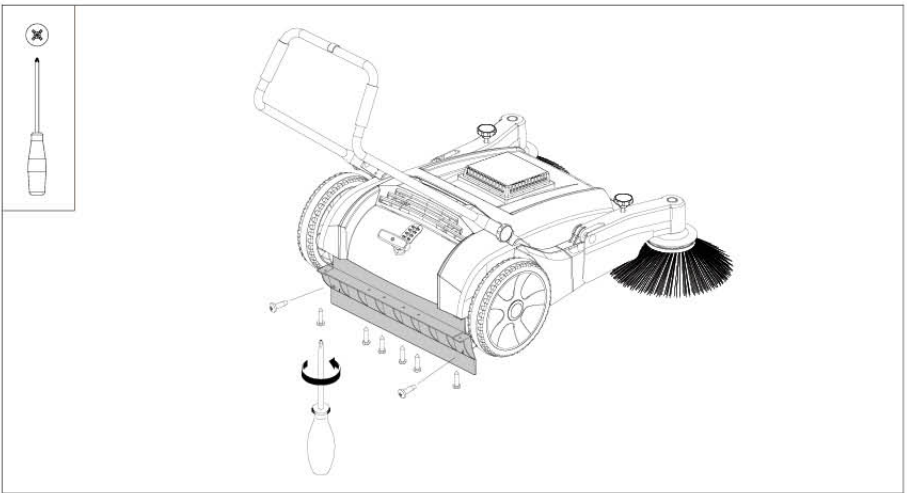
HOW TO USE



Set up the dustproof plates of both sides of main brush.

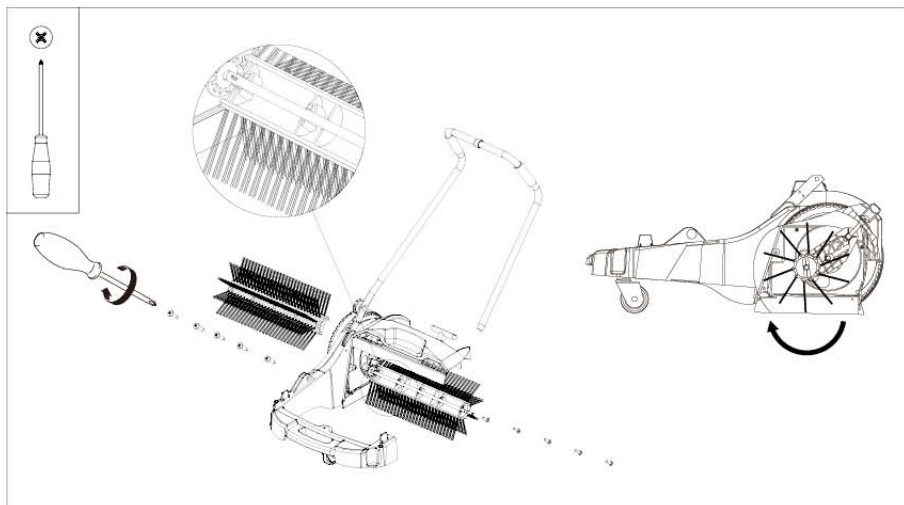


Install container seal baffle.



Install the dustproof plate on the back of main brush.

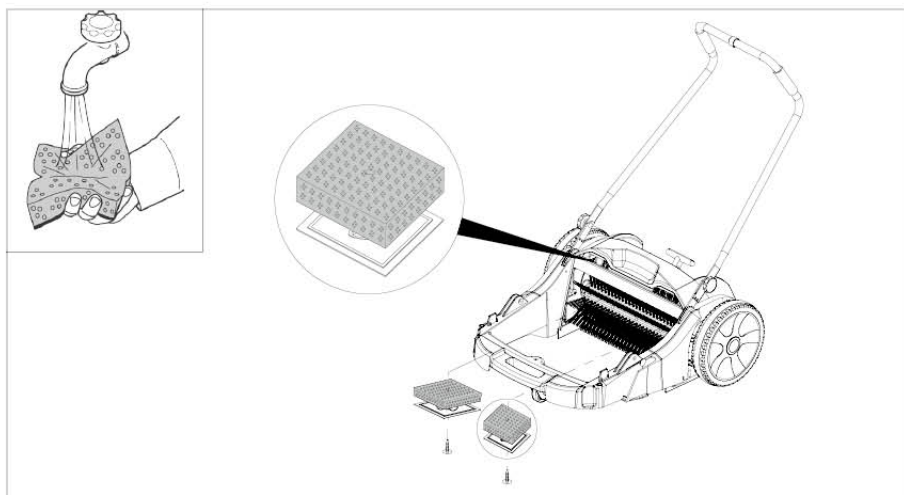
HOW TO USE



Main brush replacement:

To dismantle the main brush, unscrew all 6 retaining screws.

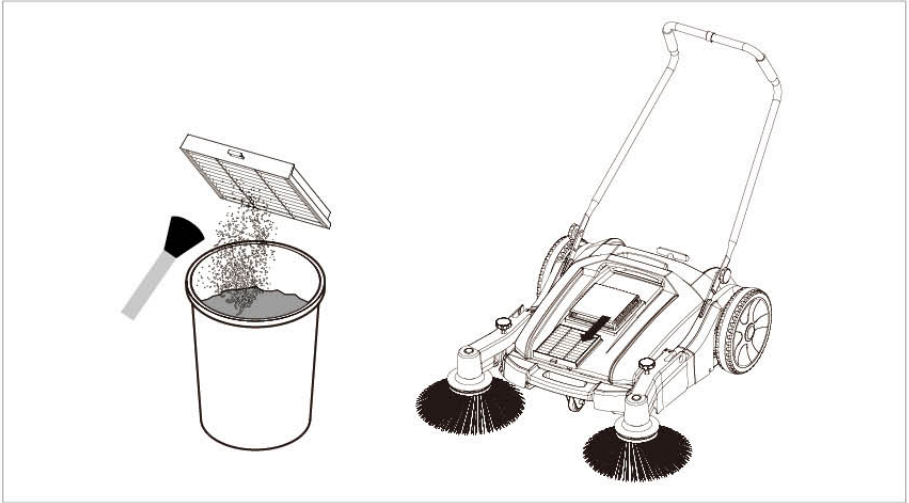
The two main brush half-shells can then be taken out.



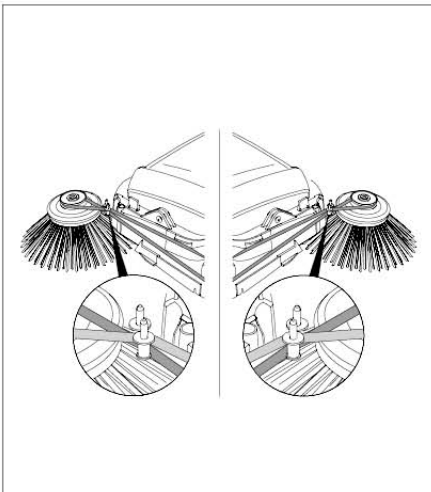
Fine filter clean and replacement:

Pull out the retaining pin and remove the fine filter for cleaning or replacement.

HOW TO USE

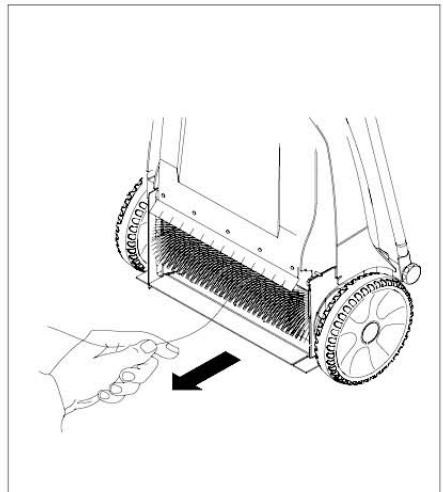


Cleaning the top filter by brush every month.



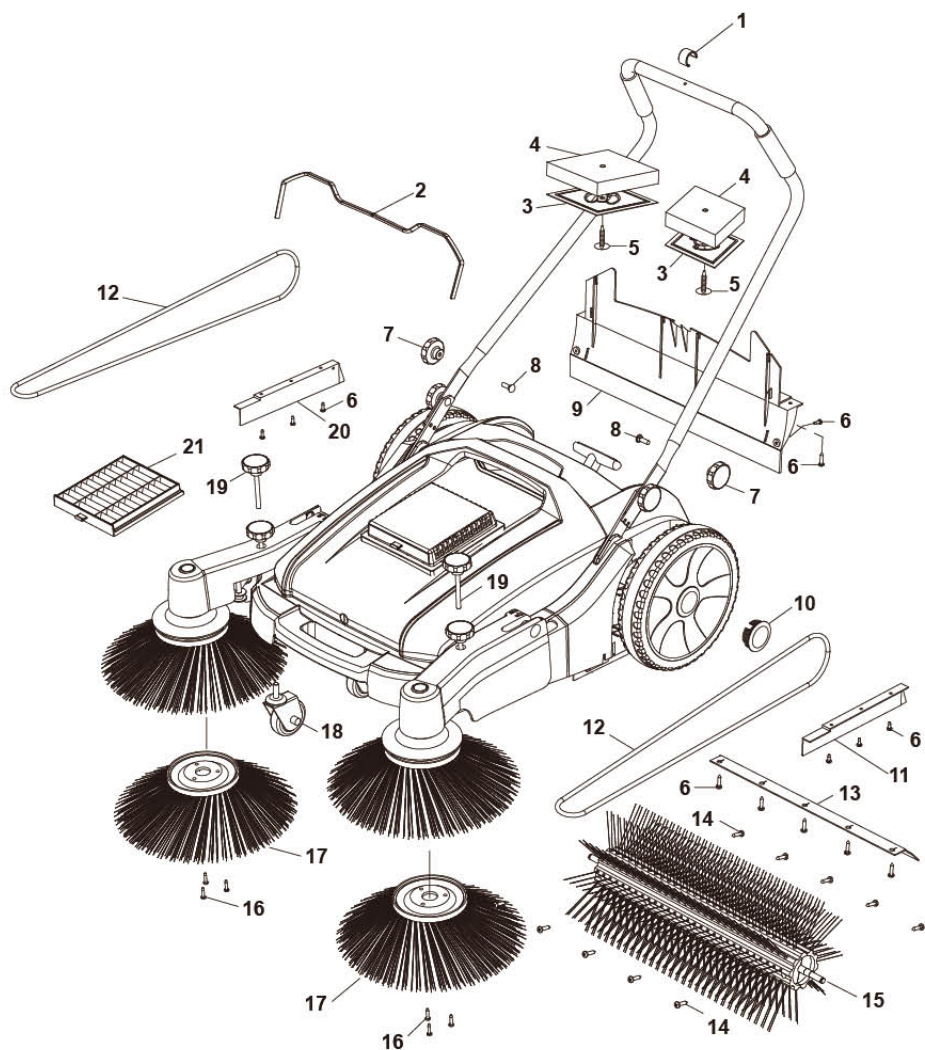
When installing the drive belt pay attention to the rotational direction of the side brush.

When moving forward, the side brush must rotate towards the inside.



When the main brush is entangled in garbage, it should be taken out by reversing the roller brush.

EXPLOSION DRAWING



Item No.	Description
1	Clamp
2	Seal Rubber
3	Filter covering cap
4	Filter
5	Plug
6	Screw
7	Turning knob
8	Saucer-head screw
9	Rear skirting
10	Wheel cap
11	Skirting 1
12	Round belt
13	Ground lip
14	Screw
15	Rolling brush complete
16	Screw
17	Side brush
18	Castor
19	Turning knob
20	Skirting 2
21	Top filter

