

# High Pressure Cleaner

## TWIN

### Instructions Manual



### Instructions for installation and use

Manufactured by:

**MAER IDROPULITRICI SRL**

Via Torre 65/2

24050 Torre Pallavicina BG

Tel 0039 0363 996579

Fax 0039 0363 996688

maer@maeridropulitrici.com

www.maeridropulitrici.com

**ITALY**

# **Contents**

---

- 1. Field of employment**
- 2. Characteristics of the personnel employed to use the cleaner**
- 3. Accidents prevention**
- 4. Characteristics of the high pressure cleaner**
- 5. Instruments of the high pressure cleaner**
- 6. Transport and unpacking**
- 7. Installation**
- 8. Connection to the electricity supply**
- 9. Connection to the water supply**
- 10. Switching on**
- 11. Switching off**
- 12. Maintenance**
- 13. Pump**
- 14. Demolition**
- 15. Problems during the operation**
- 16. Hydraulic plan**
- 17. Warranty**
- 18. Additional instructions**
- 19. Declaration of conformity**

ATTENTION: do not use the high pressure cleaner without reading the manual

## **Congratulations!**

By purchasing a MAER high pressure cleaner, you have purchased a high technology machine that will allow you to realize, for a long time, washing operations with care, versatility and safety. The customer and buyer must verify that the operators have read and know the content of the manual and that, therefore, attentively and meticulously follow all the indications. The manufacturer doesn't respond of the damages caused to things, people or animals or those suffered by the high pressure cleaner itself, if the conditions here clarified are not respected. This manual is an integral part of the machine and therefore must be preserved with care for all the life of the high pressure cleaner, up to its demolition. The manufacturer reserves himself the right to the change, also without warning, of his/her own products, without varying, in the case in which the changes are marginal, the documents and the relative technical documentation.

## **1. Field of employment**

1.1. The high pressure cleaner is exclusively destined to the washing, by a jet of high pressure water, of objects and surfaces available to sustain its mechanical and thermal action, and, eventually, the chemical action of the additive liquids, detergents and disinfectants, etc...; it allows therefore the cleaning, the disinfection, the sandblasting, the scaling, etc... using accessories, of objects and of surfaces.

1.2. The destination of employment of the high pressure cleaner must meticulously been respected, and every other employment must be considered improper.

1.3. The nameplate of identification (with the technical characteristics of the machine) is positioned on the machine and it is always present. Please make sure, when you Purchase the high pressure cleaner, that the machine has this nameplate of identification. Otherwise, advise immediately the supplier. Machines without nameplate of identification have to be considered anonymous and potentially dangerous; they mustn't be used, otherwise every responsibility of the manufacturer will decade.

Costruttore		<b>MAER</b>		Torre Pallescina	
CE		IDROPULTRICI		(BG) Italy	
Matrizza	900x33	Tipo	AVANTI		
Isolamento	IP X 3	Anno	12/99		
Prestazione max	200 bar	Portata L/1'	21		
Tensione	400 V	Frequenza Hz	50		
Ampere a 400V	18	Ampere a 230V	7		
Temperatura max	90 C	a Bar	200		
Combustibile	Diesel	Peso Kg	115		

## **2. Characteristics of the personnel employed to use the high pressure cleaner**

2.1. All those people that deal with the operation of the machine must dispose of a specific education or of an experience matured on high pressure cleaners.

2.2. To prevent damages to things, people or animals, we recommend to the clients to inform all the operators about the possible consequential risks caused by the installation and the use of the high pressure cleaner.

2.3. The operator of the machine has to use always the described means of personal protection, according to the law of the country of destination and what is given to him/her by his/her employer (safety shoes, work overalls, protective glasses, etc...).

2.4. The personnel employed to the installation, to the use or to the maintenance of the high pressure cleaner must be adult, experienced, mature and aware of his/her own suitable assignments and must be able to correctly interpret what described in this manual, guaranteeing correctness, safety, as well as scrupulousness in the controls.

2.5. Possible consequential responsibilities from the employed, and authorized personnel, to the installation or to the use of the machine are delegated to the customer buyer.

2.6. Those people that deal with the maintenance must dispose of knowledge and specific (maintenance technician) competences that allow him to correctly interpret instructions and sketches

### 3. Accidents prevention

3.1. The instructions furnished in this manual don't replace in any way the norms related to the safety, to the installation and the use, to the technical data or the norms in force in the nation of installation or use or the norms dictated of the common sense.

3.2. Technicians or maintenance technicians are obliged to notify any possible defects or deteriorations that are able, in any way, to compromise the original safety of the plant.

3.3. The serial high pressure cleaner is not equipped for working in environments characterized by particular conditions of inflammability or explosiveness; flameproof equipment is supplied only and exclusively on specific request. It is forbidden to install the high pressure cleaner in environments where inflammable materials are present or with particles it suspended in the air: acids, inks, varnishes, resins, solvents, plastic subjects, etc.; follow the norms imposed by the fire department.

3.4. The high pressure cleaner and its plant as the place and the environment, are forcedly exposed to the water and the damp that injure the natural conditions of isolation of the plant. Don't use therefore unsafe electric cables, thorns or plugs, and sockets; check the integrity and the insulation of the electric cable, together with the equipment of the operators. Don't absolutely touch the thorn or the plugs with wet hands or feet. To avoid accidental switching on, turn the interrupter on OFF before inserting or disconnecting the power supply. Don't pull the high pressure cleaner using the electrical cable or extract its thorn from the socket.

3.5. Use with extreme care the chemical detergents not to deteriorate the environment (degradability 90%), parts or components of the machine, according to the updating of the legislative decree. Besides, always check the degradability and the aggressiveness of the used detergents. Never use acids, inks, solvents, liquid oily, varnishes, resins, etc...

3.6. The "cold" starting of the high pressure cleaner can cause some serious damages to the pump and the circuits; the standstill prolonged at temperatures under 0°C could cause breakups and damages to the pump and the pipes; therefore the emptying of the machine is advisable.

3.7. Always protect the high pressure cleaner from the atmospheric agents, from the cold and from the frost.

3.8. Never direct the jet of water towards people (not even to clean their clothes or their shoes) or animals, nor the machine itself or any objects under electrical tension.

3.9. Lance and gun, although equipped with proper hilts, have a modest counterblow (about 22N) to the departure of the jet; hold them with strength with both hands. Never touch the jet of water during the operation of the high pressure cleaner.

3.10. If some defects, damages or deteriorations on the machine are found, disconnect it immediately, and call an assistance authorized center or the supplier.

3.11. Don't leave never, without overseeing, the high pressure cleaner working in presence of children.

3.12. ATTENTION: If used in the correct way and it is in a good state, the high pressure cleaner sends forth a sonorous level of pressure (noisiness) of 101 dB.

3.13. The maximum level of vibrations of the lance during the operation is 22m/sec<sup>2</sup>

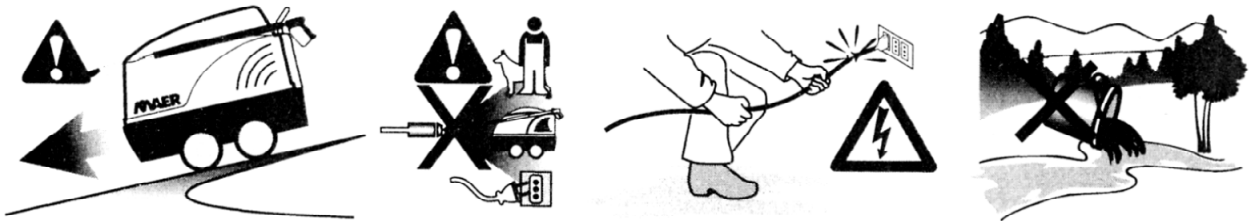
3.14. **The high pressure cleaner has security devices for a safety use:**

- Pressure switch
- Magnetothermic switch for motor protection
- By-pass valve
- Water float
- Electric controls 24V
- Timed total stop system

3.15. The high pressure cleaner is provided with a timed total stop system. If the pistol remains closed for more than 10 sec., the motor will stop. The motor will start again by opening the pistol.

3.16. ATTENTION: The by-pass security valve allows to regulate the flow and the pressure of the water. In addition it protects the pump from overpressure. The valve is set to the maximum allowed pressure and the nut on the knob is sealed with paint. Replacements, reparations and new regulations must be made by specific and authorized personnel.

3.17. ATTENTION: The magnetothermic switch protects the motor from overloads. In case of overload the magnetothermic switch stops the motor. To restart the motor, turn OFF the main switch and then turn it ON again. Replacements and reparations must be made by specific and authorized personnel with the machine unplugged from the electricity network.



#### 4. Characteristics of the high pressure cleaners

The high pressure cleaners TWIN are divided in the following models:

Model	Maximum pressure (bar-psi)	Maximum flow (l/min - gal/min)	Installed Power (KW)	Voltage 50Hz (V)	Weight (Kg-lb)
2x 150/15	150-2175	30-7.2	8.6	400	280-720
2x 200/15	200-2900	30-7.2	11.6	400	280-720
2x 150/21	150-2175	42-11	11.6	400	280-720
2x 200/21	200-2900	42-11	15.2	400	280-720

## 5. Instruments of the high pressure cleaner

**Q1:** Pump switch 1

**Q2:** Pump switch 2

**H1:** Pump light 1 (Orange)

**H2:** Pump light 2 (Orange)

**H3:** Electricity supply light (Green)

**CA:** Electricity supply cable

**IN:** Connection to the water supply (inlet)

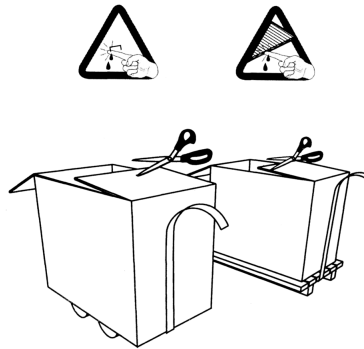
**OUT:** Connection to the lance (outlet)



## 6. Transport and unpacking

6.1. Submit lifting and transport to specialized personnel. Protect the machine, especially during the transports on road, from bumps, damps or from vibrations, etc...

6.2. To unpack the high pressure cleaner, verify that is not damaged and has got all the parts and components. In the case in which the machine is damaged, please call the supplier and do not use the machine. We remember that the elements used in the packing of the machine could hurt the operator if not handled with care. These elements must be digested therefore and not left to the course of children or of irresponsible persons. The same is worth for the objects used in the removal of the pack (knives, scissors.). For tied up demands to packing and transport, some components are supplied not installed; proceed therefore to the installation according to the instructions of the manual.



## 7. Installation

7.1. Control carefully that the environment for the installation of the high pressure cleaner considering all the foreseen and unforeseen possibilities.

## 8. Connection to the electricity supply

8.1. The high pressure cleaner can be connected to alternating current single phase (230V) or three phase (400V) with frequency 50Hz. For the three phase models, the high pressure cleaner is normally supplied connected to 400 V, although can be in demand connected to 230V three phase.

8.2. For the maximum absorption of the electricity, compare the underlying chart.

8.3. Verify that the electric net, to which the machine is connected with the electric cable CA, has the appropriate characteristics.

8.4. The high pressure cleaner is endowed with a magnetothermic switch that interrupts the power supply in the case the absorption of the supply overcomes the value of the setting; for the location of the switch, take a look to the electric plan attached to the machine.

8.5. The client buyer is kept to subsequently protect the line of the power supply by installing a lifesaver with a load not exceeding 30A.

8.6. The cable is supplied without plug for the connection to the net: this must be installed by the buyer, which will verify that:

The plug is proper for the data of the voltage and the tension above described.

The plug is conforming to the norms in force in the nation of use and that in any event it is earthed.

The connection cable and plug connection is waterproof.

8.7. If a cable with extension is used, this must have a minimum section of 4 mm<sup>2</sup>. The flying thorns and plugs are forbidden.

8.8. If the cable of connection is damaged, this must be immediately replaced with a proper cable: such operation must be performed by specific and authorized personnel.

Power (KW)	Absorption 400V (A)
2 x 4	2 x 8.5
2 x 5.5	2 x 12
2 x 7.5	2 x 16

## 9. Connection to the water supply

9.1. The pressure of the water supply must be at least 2 bar.

9.2. The water supply must provide a flow of water of at least of the 10% of the course of the high pressure cleaner (compare the chart with technical characteristics).

9.3. First of all, connect the water supply tap to the machine input pipefitting **IN**, using a hose with proper diameter.

9.4. Then, connect the lance to the link of exit **OUT**.

9.5. For a long duration of the pump, avoid the use of water containing sand or other particles that jeopardize the efficiency of the valves, the plungers and the seals.

9.5. When the machine is equipped with a special tank, it is convenient to install a filter upstream of the tank: the pipe of water feeding must have a diameter not smaller than the link of the connection to the machine and must be prepared in such way to avoid that possible airlocks are formed.

9.6. The water supply can have a maximum temperature of 60°C and a maximum pressure of 8 bar.

The seals and other parts and components of the pump could be irretrievably damaged when the machine is made to work without water, even for short periods. Verify that the tap of the water supply is completely open before the high pressure cleaner is switched on

## OPERATION

### 10. Switching on, pump 1 and pump 2

10.1. Turn the switches Q1 or Q2 in position ON, to work with pump 1 or pump 2.

10.2 It is possible to work with two pumps at the same time.

10.3. Pull the trigger of the pistol on the lance, holding it with strength to compensate its recoil and let the machine working for 2 or 3 minutes to eliminate possible residues that could clog the nozzle.

10.4. The trigger of the gun has a safety catch that prevents the accidental activation of the lance. Insert it on when the lance is not used.

### 11. Switching off

11.1. By releasing the trigger of the gun, the jet of water interrupts and the machine stops (timed total stop system), remaining however turned on and available to the use.

11.2. **To switch definitely off the machine**, turn off the switches Q1 or Q2.

11.3. For prolonged stand-by, before turning off the machine unload completely the water from the circuit. This procedure is advisable especially in places with temperatures below 0°C.

11.4. As soon as the water flow stops, switch the machine off by acting on the switches Q1 or Q2.

11.5. ATTENTION: the operation of the pump in absence of water could irreparably damage its seals.



## 12. Maintenance

12.1. It is absolutely forbidden to effect controls or operations of maintenance with the machine operating or under tension: always remove the electricity supply!!!

Don't even effect reparations of fortune or precarious, and never use not-original spare parts.

12.2. The operations of extraordinary maintenance must regularly been made by specialized personnel.

## 13. Pump

13.1. The pump is equipped with three plungers in ceramics with automatic recovery of possible leakages.

13.2. If a persistent dripping is noticed under the body of the pump, replace the plungers waterproofing seals. Nevertheless, in the first hours of exercise, a small loss could points out; this is only and exclusively an arrangement of the seals and not a breakdown.

13.3. If there are some losses of oil between the body of the pump and the head of the pump, it is necessary to remove the oil, to get off the head and to handle the substitution of the seals of the head. For this operation it is necessary to contact a specialized and authorized assistance center.

13.4. Restarting the pump after the maintenance to verify that this is supplied of oil. The oil must be replaced after the first 50 hours of operation and subsequently every 500 hours of operation; the ability of the reservoir of the oil is equal to 0,55 liters. Use only and exclusively oil with brand Esso Plus Motor Oil 20W30 or Shell Oil X100 20W40.

## PUMP MAINTENANCE TABLE

INSPECTION	DAILY	WEEKLY	50Hrs	EVERY 500Hrs	EVERY 800Hrs
FILTERS	X				
OIL		X			
OIL/WATER LEAK	X				
HYDRAULIC SYSTEM		X			
FIRST OIL SUBSTITUTION			X		
OIL SUBSTITUTION				X	
SEAL SUBSTITUTION					X

## 14. Demolition

14.1. To allow the recycling of the raw materials, it is to separate well: pack (if supplied), the exhausted oils and the lubricants, the electric motors, metallic pieces, parts and components in plastics.

14.2. It is compulsory to respect the norms in force related to the production, detention, harvest and disposal of the refusals, according to what established by the legislative decree 22/97. The exhausted oils must be delivered to the National Consortium Obligatory, while possible packing must be digested according to what established by the title II of the legislative decree 22/97.

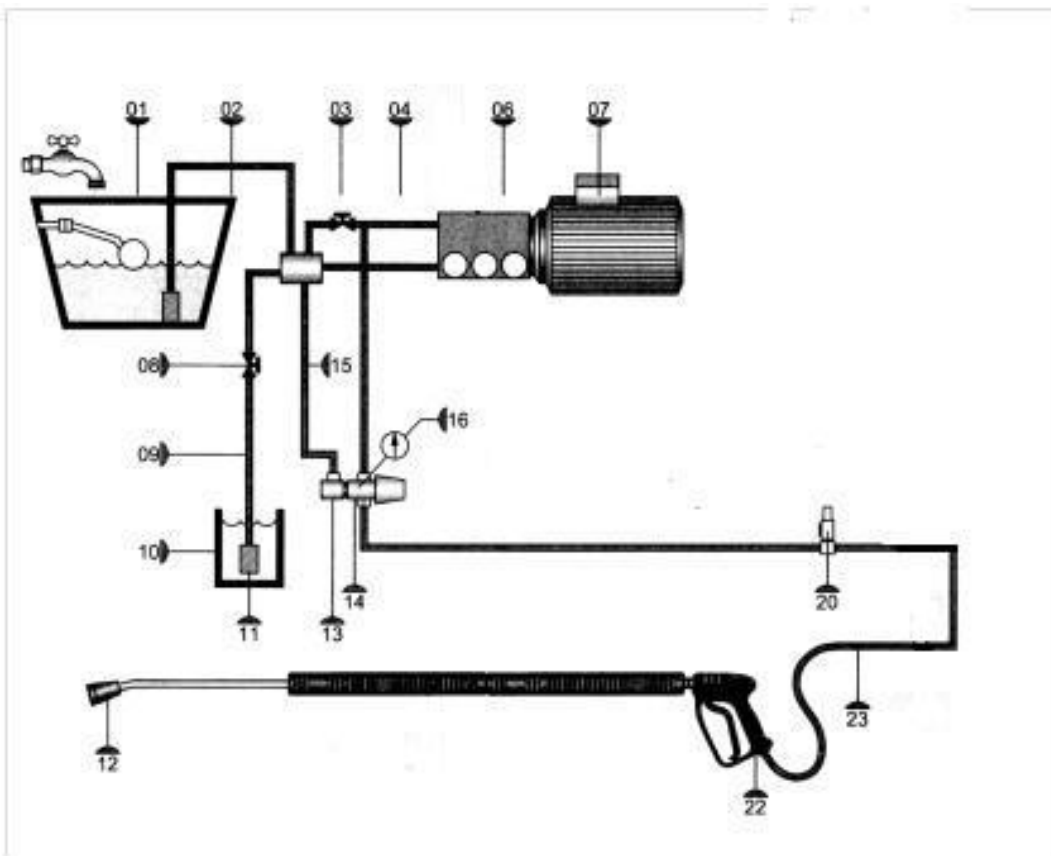
14.3. ATTENTION: MAER IDROPULITRICI society does not assume any responsibility for damages to things, personal or animals, consequential and consequent to the re-use of the single parts or the single components of the machine for function or situation of the assemblage different from the original for which the high pressure cleaner has been conceived. Finally, when demolished, it is to destroy well the nameplate of identification together to every other document related to the same machine.

## 15. Problems during the operation

Problem	Cause	Solution
The inlet hoses vibrate	Foreign piece in a valve  Air suction.	Disassemble the valve and remove the foreign piece Identify the source of the air suction and eliminate it
The water does not reach the lance although the pump is working.	Missing water in the net.  Air inside the water circuit. The lance nozzle is blocked. The pump intake valve is blocked. The detergent intake tap is open with empty detergent tank. The detergent feeder hose is faulty.	Verify the connection with the water supply and let the water come in. Bleed the circuit. Remove and clean the nozzle. Unscrew the valve and unblock it. Close the tap and fill the detergent tank.  Replace the detergent feeder hose.
The pressure at the lance is weak although the pump is under high pressure.	The coil of the boiler is blocked. The lance nozzle is blocked. The pressure valve is dirty. There is lime scale encrusted inside the pressure adjustment valve.	Clean the coil by washing it with a scaling fluid. Remove and clean the nozzle. Remove and clean the valve. Remove the valve, clean it and scale it carefully.
The motor does not switch on.	The fuses have burnt The switch is disconnected. The by-pass valve does not give electric signal to the electronic board.	Change the fuses. Rearm the switch. Check the microswitch on the valve.

## 16. Hydraulic plan

- 1) Water tank with float
- 2) Water inlet hose
- 3) Flow adjustment tap
- 4) Delivery hose
- 6) Pump
- 7) Motor
- 8) Detergent tap
- 9) Detergent inlet hose
- 10) Tank
- 11) Filter
- 12) Nozzle
- 13) Microswitch
- 14) By-pass valve
- 15) By-pass hose
- 16) Pressure gauge
- 22) Pistol
- 23) 10 m high pressure hose



## 17. Warranty

17.1 The High pressure cleaner has a **twelve-month** warranty from the date of delivery.

Defects and vices connected or consequent to not compliance with the indications contained in this manual **ARE EXCLUDED FROM THE WARRANTY.**

17.2 MAER Guarantees the mechanical parts of the machine, under normal conditions of use and service; this warranty does not include accessories and usage materials.

The warranty is intended for substitution of the faulty part.

Transport and installation of the new part are at customer's charge.

17.3 In case of return of the high pressure cleaner, please enclose a sheet with the reasons of returning and the type of malfunction.

17.4 No modifications can be made to the high pressure cleaner.

In case of modifications made by the customer, the warranty lapses.

17.5 The MAER company disclaims all responsibility for damages to persons and/or things deriving from use of single parts of the machine, if they have been run or assembled differently from the original condition.

## 18. Additional instructions

18.1 Instructions of emergency conditions :

- 1 Switch off the machine
- 2 Disconnect the electricity supply
- 3 Call the public assistance

18.2 ACCESSORIES :

The high pressure cleaner can be provided with proper accessories which allow to use the machine to scale, sandblast disinfect and unblock.

To scale	Rotating nozzle
To sandblast	Sandblasting head
To disinfect	Foaming nozzle
To unblock	Unblocking nozzle

# DECLARATION OF CONFORMITY



**Manufacturer:**

MAER IDROPULITRICI SRL  
Via Torre 65/2  
24050 Torre Pallavicina (BG)  
ITALIA

**Responsible for the technical dossier:**

TECHNICAL OFFICE  
24050 Torre Pallavicina (BG)

**Description of the machine:** HIGH PRESSURE CLEANER

Model: TWIN

Serial number:

Year of construction:

Net power installed:

Pressure:

Flow:

Measured acoustic power level:  $L_w = 101$  dBa

Guaranteed acoustic power level:  $L_w = 101$  dBa

Herewith we declare that the above mentioned machine conforms to the instructions of the 2006/42/CE machine directive and to the other following CE directives:

- Directive 2000/14/CE Acoustic inputs
- Directive 2002/44/CE Vibrations
- Directive 2004/108/CE ex 89/336/CE Electromagnetic compatibility
- Directive 2006/95/CE ex 73/23/CE Low tension.

For the verification of the conformity, the following norms have been consulted:

- EN 292-1 / EN 292-2 / EN 60204-1 / EN 60335-2-79 / EN 60335-10

as described in the technical dossier, in the instructions manual for the use and the maintenance.

The technical dossier is filed at MAER IDROPULITRICI SRL company.

**Torre Pallavicina,**

**The legal representative**  
Agnese Maria Valcarenghi