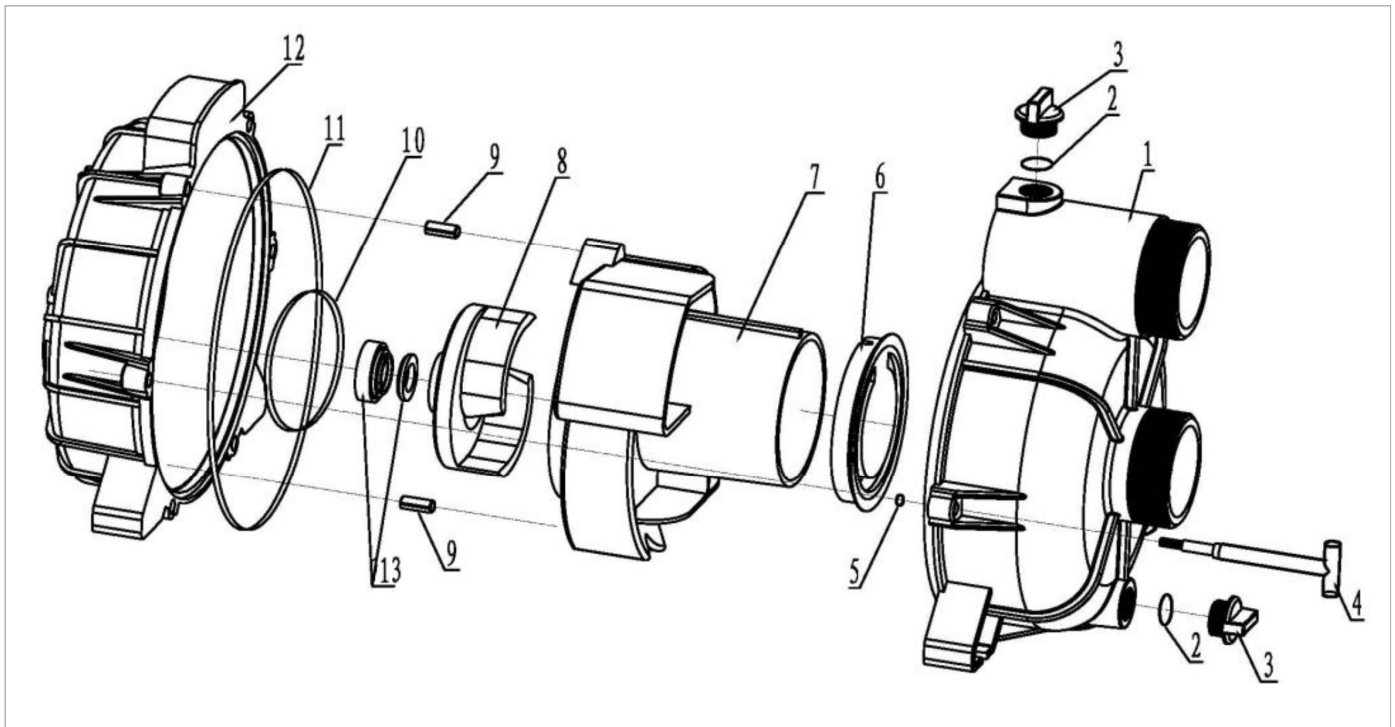


## 2" Semi-Trash Pump



NO.	Description	Part number	QTY
1	Pump body	85.572.220	1
2*#	Priming/drain O-ring	85.572.221	2
3	Priming/drain cap		
4	Tee screw	85.572.226	6
5#	O-ring		
6*#	Check valve	85.572.200	1
7	Volute	85.572.222	1
8	Impeller	85.572.223	1
9	Volute pin	85.572.224	2

NO.	Description	Part number	QTY
10*#	Volute O-ring	85.572.202	1
11*#	Body O-ring	85.572.201	1
12	Back cover	85.572.225	1
13*	Mechanical seal	85.572.191	1
*	Seal kit inc mech seal*	85.572.193A	1
#	Seal kit inc items#	85.572.193B	1
*	Viton seal kit inc items*	85.572.199V	1
	Wet end Complete	85.572.213	1