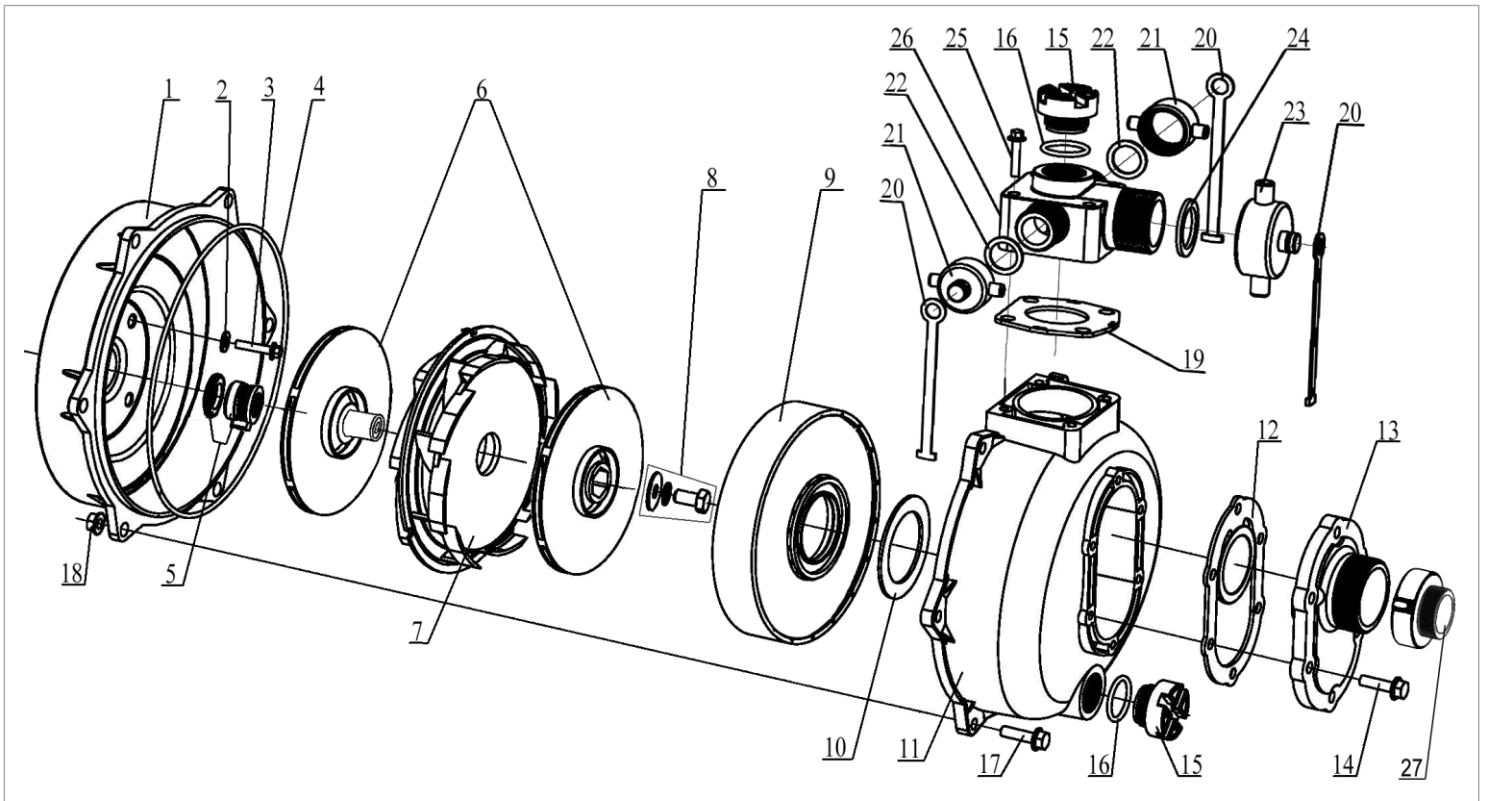


## 1.5" Twin Impeller HP Pump, P Shaft



NO.	Description	Part number	QTY
1	Back plate	85.572.650	1
2	Seal washer		4
3	Mounting bolt		4
4*	Body O-ring		1
5*	Mechanical seal	85.572.656	1
6	Impeller set	85.572.651	1
7	Diffuser		1
8	Impeller bolt set		1
9	Diffuser cover	85.572.653	1
10*	Diffuser seal		1
11	Pump body	85.572.654	1
12*	Check valve		1
13	Suction cover	85.572.137	1
14	Suction cover bolt		6
15	Priming/drain cap	85.572.129	2

NO.	Description	Part number	QTY
16*	Priming/drain O-ring	85.572.129	2
17	Body bolt		6
18	Body nut		6
19*	Outlet flange gasket		1
20	Outlet cap retainer	85.572.122	3
21	1" Outlet cap	85.572.122	2
22	1" Outlet cap seal		2
23	1.5" Outlet cap	85.572.122	1
24	1.5" Outlet cap seal		1
25	Bolt		4
26	3 way outlet	85.572.120	1
27	1.5" Reducer	85.705.109	1
*	Seal kit inc items*	85.572.657	1
*	Viton seal kit inc items*	85.572.658V	1
	Wet end Complete	85.572.212	1