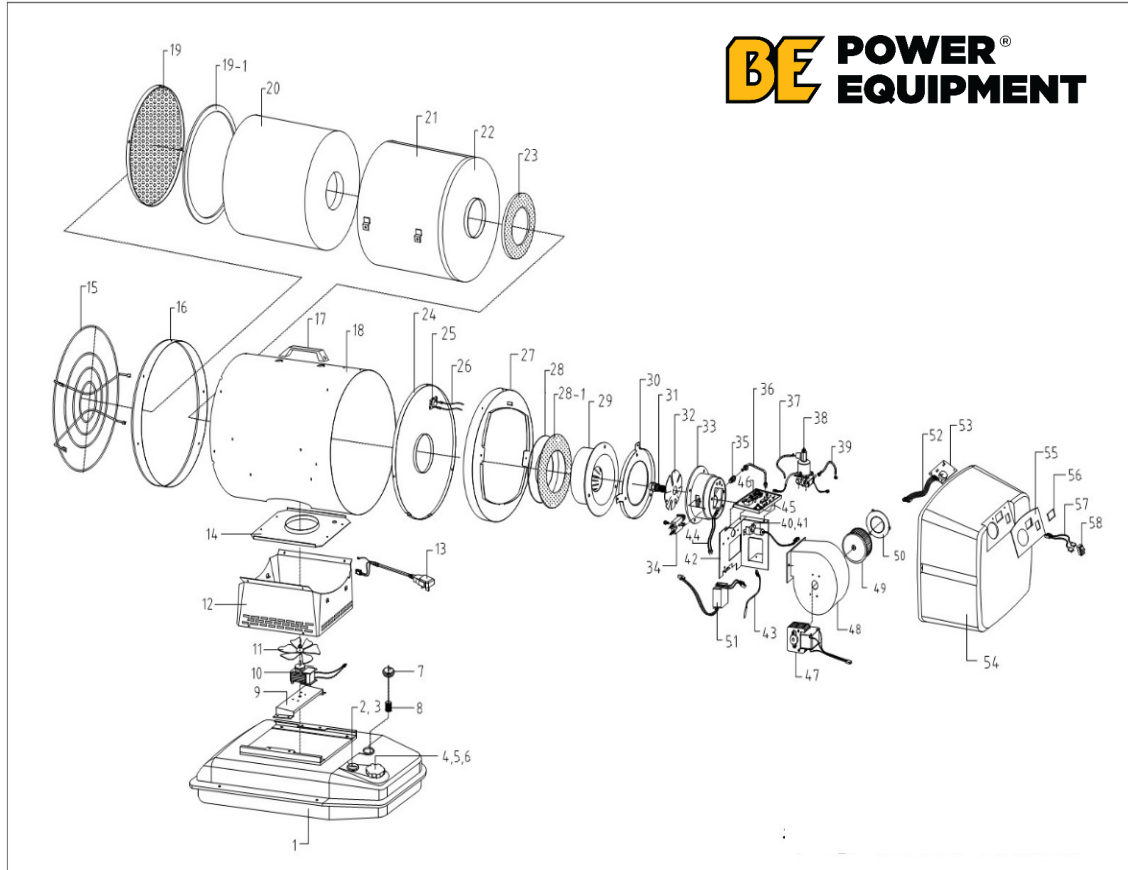


# PIN HK070RD PARTS LIST 2025



**BE POWER®  
EQUIPMENT**

No.	Part No.	Part name	No.	Part No.	Part name
1	PIS SF70-180517-01	Fuel tank	31	PIS SF70-180821-05	Nozzle
2	PIS SF70-180829-01	Fuel gauge	32	PIS SF70-180821-06	Burner head blade
4	PIS TK13-000-005	Fuel cap	33	PIS R20-15046	Burner head
6	PIS R20-15019	Fuel filter	34	PIS R20-15026	Spark Plug
8	PIS SF70-180821-01	Pumping filter	35	PIS R20-15084	Nipple
9	PIS SF70-180517-07	Cooling Motor Base	36	PIS R20-15045	Electronic pump pipe
10	PIS R20-15014	Cooling Motor	37	PIS SF70-180821-07	Return Hose(PVC)
11	PIS R20-15013	Cooling fan	38	PIS R20-15031	Electronic pump
12	PIS SF70-180517-06	Shell Support	39	PIS SF70-180821-08	Fuel hose
13	PIS SF70-180821-02	Power cord	40	PIS R20-15229	Photocell
14	PIS SF70-180517-11	Air outlet plate	41	PIS R20-15047	Photocell bracket
15	PIS R20-15021	Wall Guard	42	PIS R20-15040	Control base
16	PIS R20-15018	Shell Ring	43	PIS R20-15051	Thermistor
17	PIS R20-15605	Handle	44	PIS R20-15060	Tip over switch wire
18	PIS SF70-180517-04	Shell	45	PIS R20-15090	Tip over switch
19	PIS R20-15022	Heating plate	46	PIS R20-15029-1	PCB
19-1	PIS SF70-190813-01	Insulator Gasket	47	PIS SF70-180821-09	Blower motor
20	PIS R20-15023-2	Insulator	48	PIS SF70-180821-10	Blower casing
21	PIS R20-15020	Inner body	49	PIS SF2-025-048	Blower fan
22	PIS R20-15024	Inner body cover	50	PIS R20-15042	Inlet
23	PIS SF70-190523-01	Inner body gasket	51	PIS R20-15025	Ignitor
24	PIS R20-15034	Air Guard	52	PIS SF70-180821-11	Sub P.C.B Wire
25	PIS R20-15027	Thermostat	53	PIS R20-15032	Sub P.C.B
26	PIS R20-15061	Thermostat wire	54	PIS R20-15127	Back cover
27	PIS SF70-180517-13	Back Plate	55	PIS R20-15086	Temp. Sticker
28	PIS SF70-190523-03	Burner gasket-A	56	PIS R20-15071	Window Display
28-1	PIS SF70-190523-02	Burner gasket-B	57	PIS R20-15062	Power switch wire
29	PIS SF70-180821-04	Diffusion	58	PIS R20-15011	Power switch
30	PIS R20-15048	Insulator plate	59	PIS SF70-180821-12	Fuel Tank Support