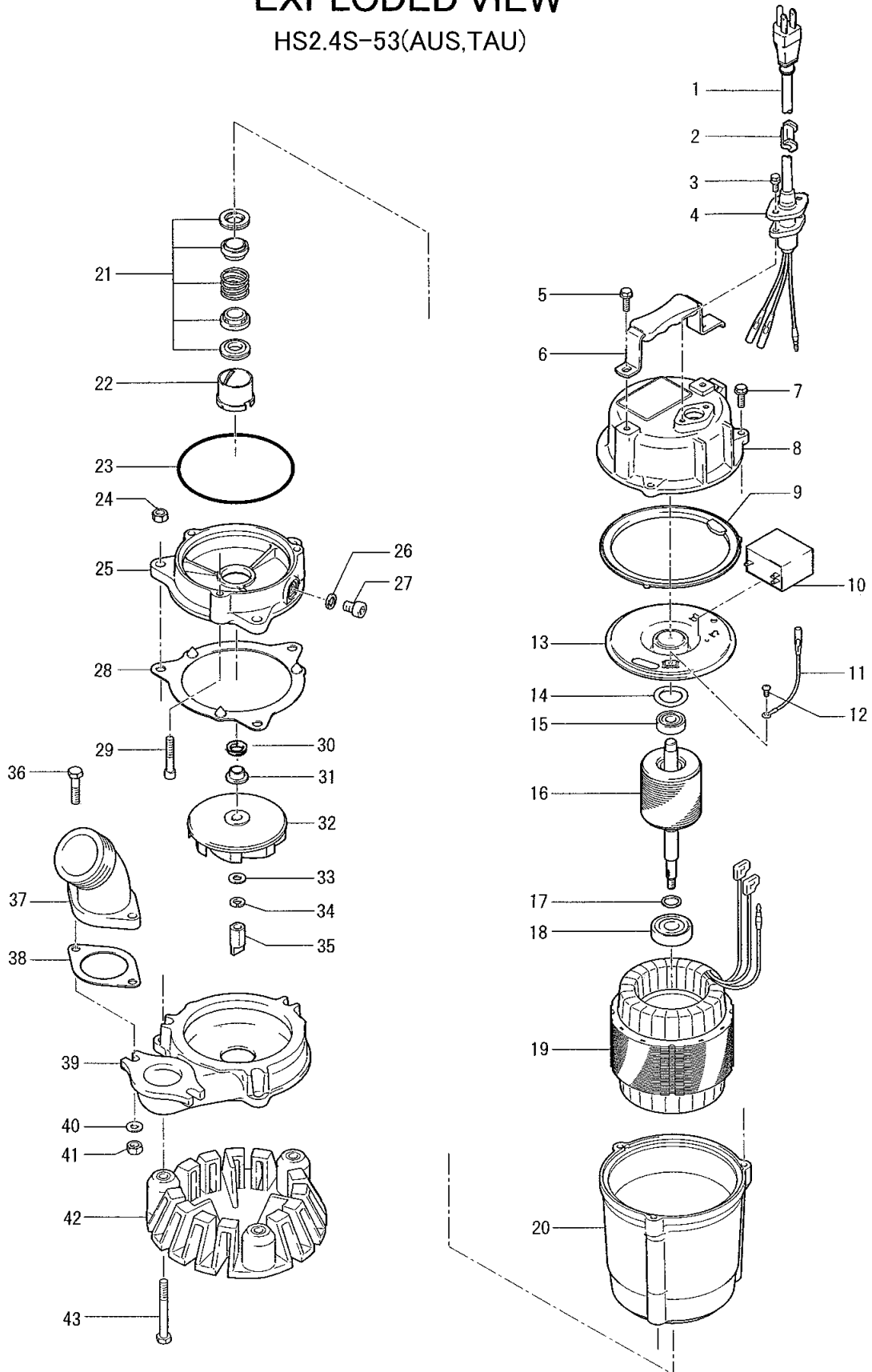


EXPLODED VIEW

HS2.4S-53(AUS,TAU)



MODEL NO. : HS2.4S-53(AUS,TAU)

CONTROL NO.	OUTPUT	VOLTAGE	DISCHARGE	-	-	DISCONTINUED IN
IH-8-1-3	0.4kW		50mm	-	-	

No.	PARTS NO.	DESCRIPTION	Q'TY	SPECIFICATION	MATERIALS	WEIGHT(kg)
1	801001010219	Cabtyre Cable Set (10m) 220/230/240V-50Hz(AUS,TAU)	1	H07RNF3Gx1mm2(AUS-P)	LBD(HAR)	1.3
2	801010163169	Cable Clip Rubber	1	HS2.4S	NBR	0.003
3	801140427179	Hex.Bolt (w/Plain Washer)	2	M5x15	SUS304	0.001
4	801003190109	Gland	1		SUS316	0.01
5	801140451109	Hex.Bolt (w/Plain Washer)	2	M6x16	SUS304	
6	801068272189	Handle	1	HS2.4(S)-50/60	SPC+NR	0.11
7	801140396169	Hex.Bolt (w/Plain Washer)	3	M6x20	SUS304	0.008
8	801051250189	Head Cover	1	Blue	ADC	0.73
9	801121546149	Packing	1	d120xd142x6.2t	NBR	0.02
10	801076000359	Capacitor	1	SH-CAP,8MF-500VAC(three terminals)		
11	801009001169	Earth Terminal	1Set	UL1015-AWG18,G/Y,L=132		
12	801143000449	Pan Screw (w/Spring Washer)	1	M4x5	C3604	0.001
13	801050486129	Motor Bracket	1		SECD	
14	801142000419	Wave Washer	1	#6201(T=0.4)	S65CM	0.001
15	801052000479	Bearing	1	6201ZZC3(EP-1)		
15	801052100159	Bearing	1	6201ZZC3		0.037
16	801055000299	Rotor	1Set	w/Bearing		
17	801061180179	Bearing Collar	1	d15.1xd20x1.5t	SS	0.023
18	801052000319	Bearing	1	6202ZZC3(EP-1)		
18	801052101169	Bearing	1	6202ZZC3		0.045
19	801056009329	Stator 220/230/240V-50Hz(AUS,TAU)	1Set	w/Miniature Protector		
20	801064516159	Motor Frame	1	Blue	ADC	1.35
21	801025000819	Mechanical Seal	1	W-14VL(ROHS)	SIC	0.05
22	801030000099	Oil Lifter	1	W-14VL	Resin	0.009
23	801122133179	O-Ring	1	G-110(109.4xd3.1)	NBR	0.001
24	801141005189	Hex.Nut	3	M8	SUS304	0.001
25	801029000589	Oil Casing	1	HS2.4(S)-52/62	FC	1.4
26	801121246119	Packing	1	d10.3xd16x2t	Polyethylene	0.001
27	801035124129	Oil Plug	1	M10x15	SUS304	0.019
28	801121000209	Packing	1	HS-4E	NR	0.02
29	801140256139	Hex.Socket Cap Bolt	3	M6x35	SUS304	0.01
30	801122441119	V-Ring	1	VR-14	NBR	0.001
31	801071292149	Shaft Sleeve	1	LB3-250/480	SUS304	0.001
32	801021007439	Impeller (50Hz)	1	HS2.4S-53	Urethane Rubber	0.145
33	801142127109	Plain Washer	2	M8	SUS304	0.001
34	801142163189	Spring Washer	1	M8	SUS304	0.001
35	801024174139	Agitator	1	HS2.4(S)(M8)	Sintered Alloy	0.024
36	801140059149	Hex.Bolt	2	M8x45	SUS304	0.022
37	801032432179	Hose Coupling	1	BSPT-2(HS2.4S,45)	FC	0.78
38	801121138199	Packing	1	LB(P.C.84)	NBR	0.001

MODEL NO. : HS2.4S-53(AUS,TAU)

CONTROL NO.	OUTPUT	VOLTAGE	DISCHARGE	-	-	DISCONTINUED IN
IH-8-1-3	0.4kW		50mm	-	-	

No.	PARTS NO.	DESCRIPTION	Q'TY	SPECIFICATION	MATERIALS	WEIGHT(kg)
39	801020000419	Pump Casing	1	SK2.4S	FC200	2.27
40	801142127109	Plain Washer	2	M8	SUS304	0.001
41	801141005189	Hex.Nut	2	M8	SUS304	0.001
42	801023002069	Strainer Stand	1	HS2.4S(ROHS)	PVC	0.56
43	801140064129	Hex.Bolt	3	M8x70	SUS304	0.031
		<Packing O-Ring Set>				
	801173550129	Packing O-Ring Set	1Set	(Marked by *)		0.055
9	801121546149	Packing (Head Cover/M.Frame)	1	d120xd142x6.2t	NBR	0.02
23	801122133179	O-Ring (M.Frame/O.Casing)	1	G-110(109.4xd3.1)	NBR	0.001
26	801121246119	Packing (Oil Plug)	1	d10.3xd16x2t	Polyethylene	0.001
28	801121000209	Packing (O.Casing/P.Casing)	1	HS-4E	NR	0.02
38	801121138199	Packing (Hose Coupling)	1	LB(P.C.84)	NBR	0.001
		Lubricant		Turbine Oil VG32 160ml		