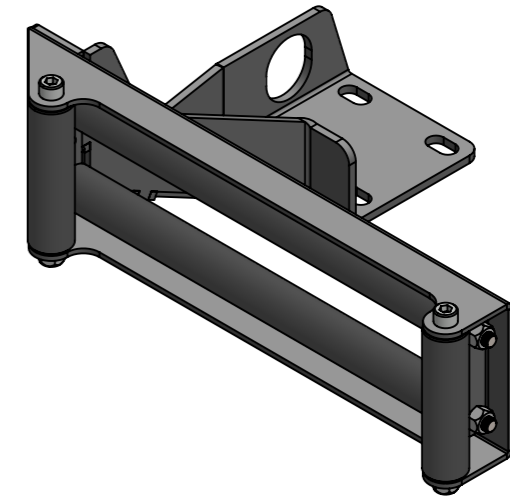
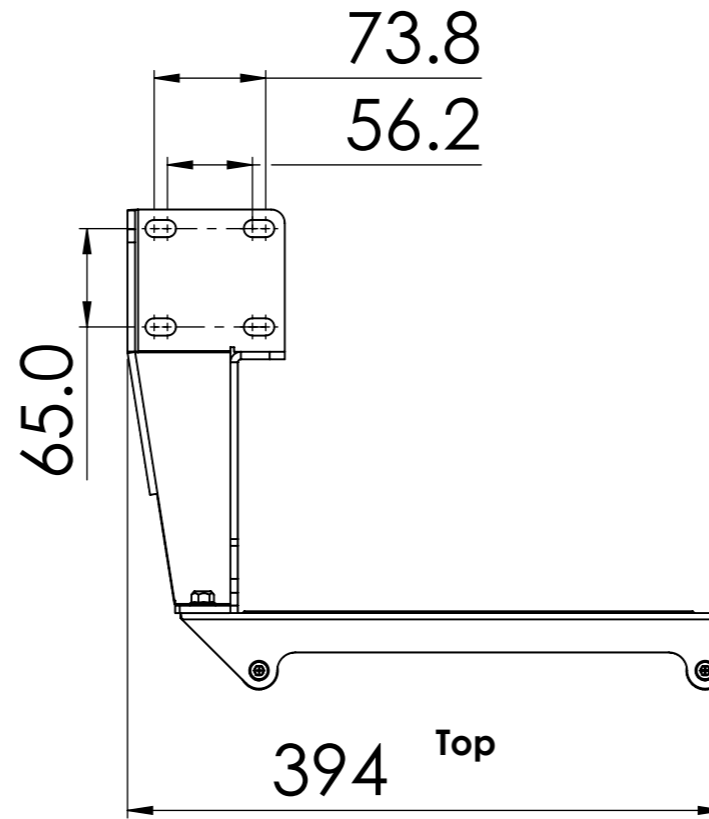
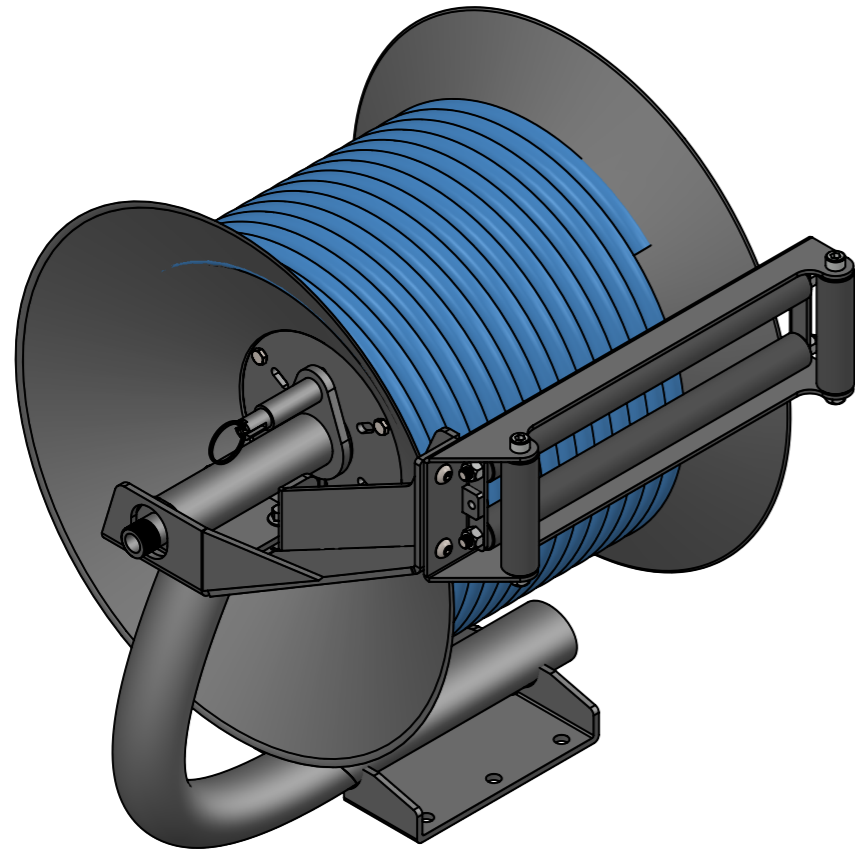
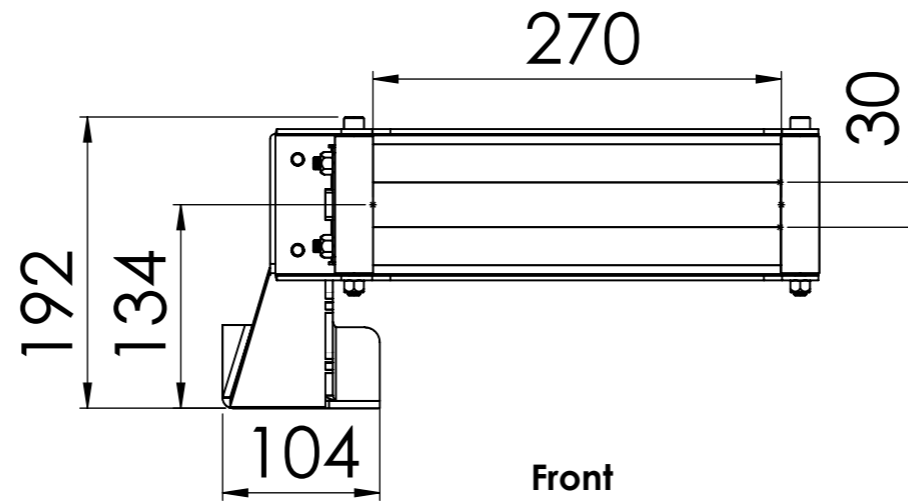
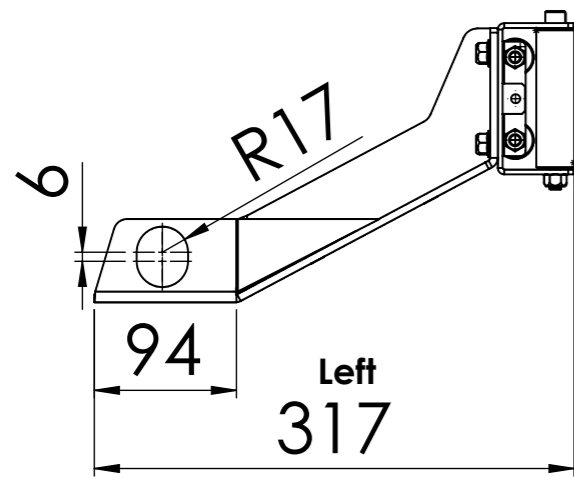



8 7 6 5 4 3 2 1



Example fitment to P/N:
125 85.402.100 (SOLD SEPARATELY)



UNLESS OTHERWISE SPECIFIED: DIMENSIONS ARE IN MILLIMETERS SURFACE FINISH: TOLERANCES: LINEAR: ±2mm ANGULAR: ±1°				FINISH: Black Powdercoat		DEBURR AND BREAK SHARP EDGES		 B.A.R. Group P/L	
				PART NO. / PRODUCT		125 85.402.120			
DRAWN Ben H				SIGNATURE		DATE 14/03/22		NO	
CHK'D								NAME	
APPVD								DATE	
MFG									
Q.A						MATERIAL:		~Steel	
						WEIGHT: 687.85 g		SCALE: 1:5	
						DESCRIPTION		Left mount hose guide	
								A3	
								SHEET 1 OF 1	

8 7 6 5 4 3 2 1